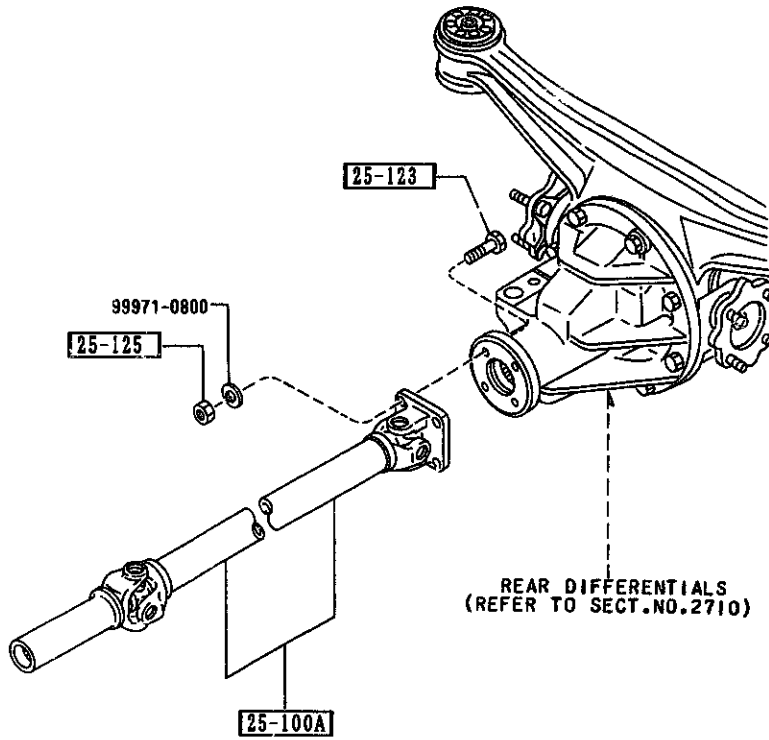


2505 -1 * REAR PROPELLER SHAFT

2505 REAR PROPELLER SHAFT



PART NO.	QTY	MODEL/RESTRICTION	MODEL/RESTRICTION	MODEL/RESTRICTION	FROM-TO
25-100A		SHAFT, PROPELLER			
M091-25-100	1				
25-123		BOLT			
N010-25-123	4				
25-125		NUT			
1456-25-125	4				

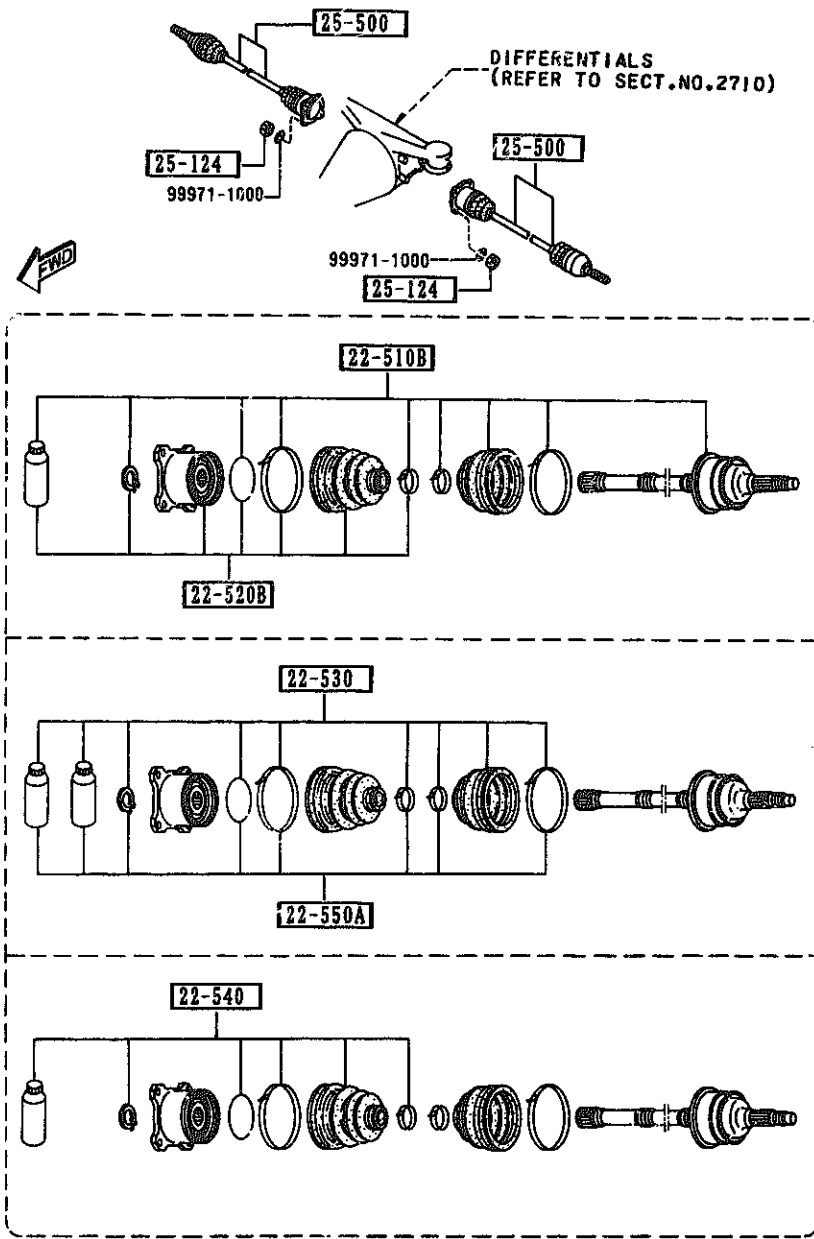


AUNA03

CAT. AUNA03-04

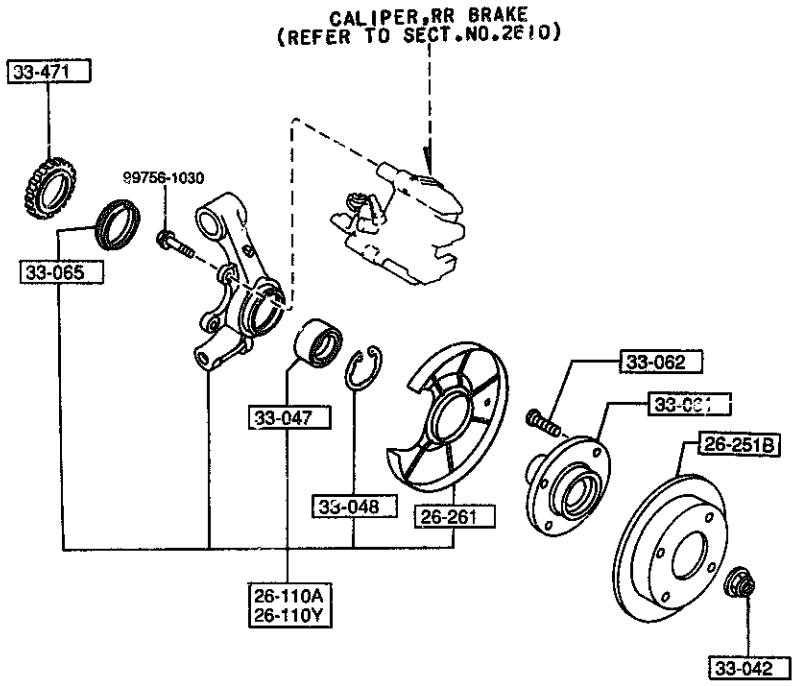
1994-10

2550 REAR DRIVE SHAFT



PART NO.	QTY	MODEL/RESTRICTION	MODEL/RESTRICTION	MODEL/RESTRICTION	FROM-TO
22-510B		JOINT SET, OUTER			
M090-22-510	2	(W/O A. LOCK BRAKE)			
M091-22-510	2	(A. LOCK BRAKE)			
22-520B		JOINT SET(R), INNER			
M090-22-520	2				
22-530		BOOT SET, OUTER JOINT			
M090-22-530	2				
22-540		BOOT SET, INNER JOINT			
M090-22-540	2				
22-550A		CLIP SET, DRIVE SHAFT			
M090-22-550	2				
25-124		NUT			
1368-25-124	8				
25-500		SHAFT, DRIVE			
M090-25-500	2	(W/O A. LOCK BRAKE)			
M091-25-500	2	(A. LOCK BRAKE)			

2600 REAR AXLE



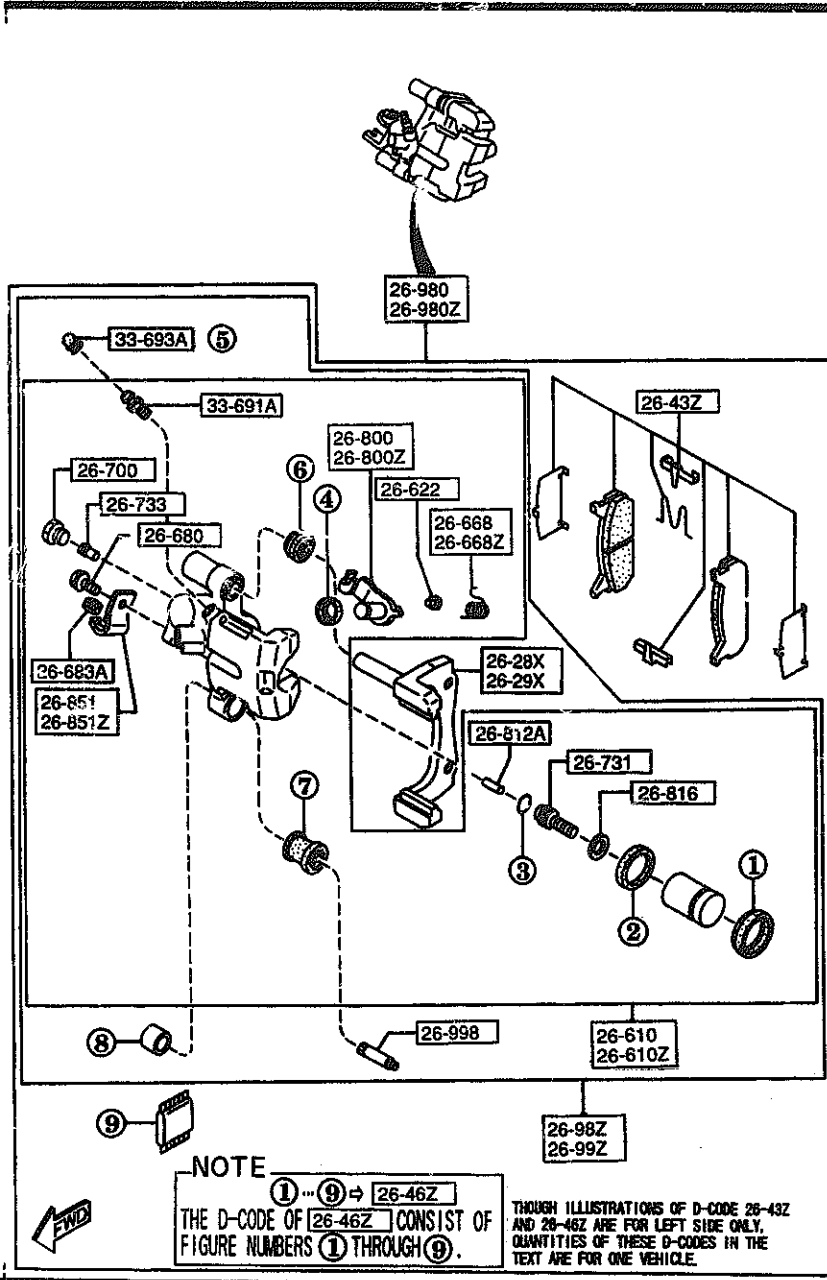
PART NO.	QTY	MODEL/RESTRICTION	MODEL/RESTRICTION	MODEL/RESTRICTION	FROM-TO
26-110A		KNUCKLE(R), REAR			
NA01-26-130B	1	(W/O A. LOCK BRAKE)			
NA23-26-130A	1	(A. LOCK BRAKE)			
26-110Y		KNUCKLE(L), REAR			
NA01-26-140B	1	(W/O A. LOCK BRAKE)			
NA23-26-140A	1	(A. LOCK BRAKE)			
26-251B		PLATE, DISC			
NA01-26-251A	2				
26-261		COVER, DUST			
NA01-26-261A	2				
33-042		NUT			
NA01-33-042B	2	W/WASHER			
33-047		BEARING, WHEEL			
B455-33-047B	2				
33-048		RING, RETAINING-DISC PLATE			
H260-33-048	2				
33-061		HUB, WHEEL			
B455-33-061	2				-3601
B01A-33-061	2				3601-
33-062		BOLT, HUB			
B455-33-062	8				-3601
B01Y-33-062	8				3601-
33-065		SEAL, OIL-AXLE			
G304-33-065	2				
33-471		ROTOR, SENSOR-FRT A.B .S.			
B603-33-471	2				

3601 NA351*-422220



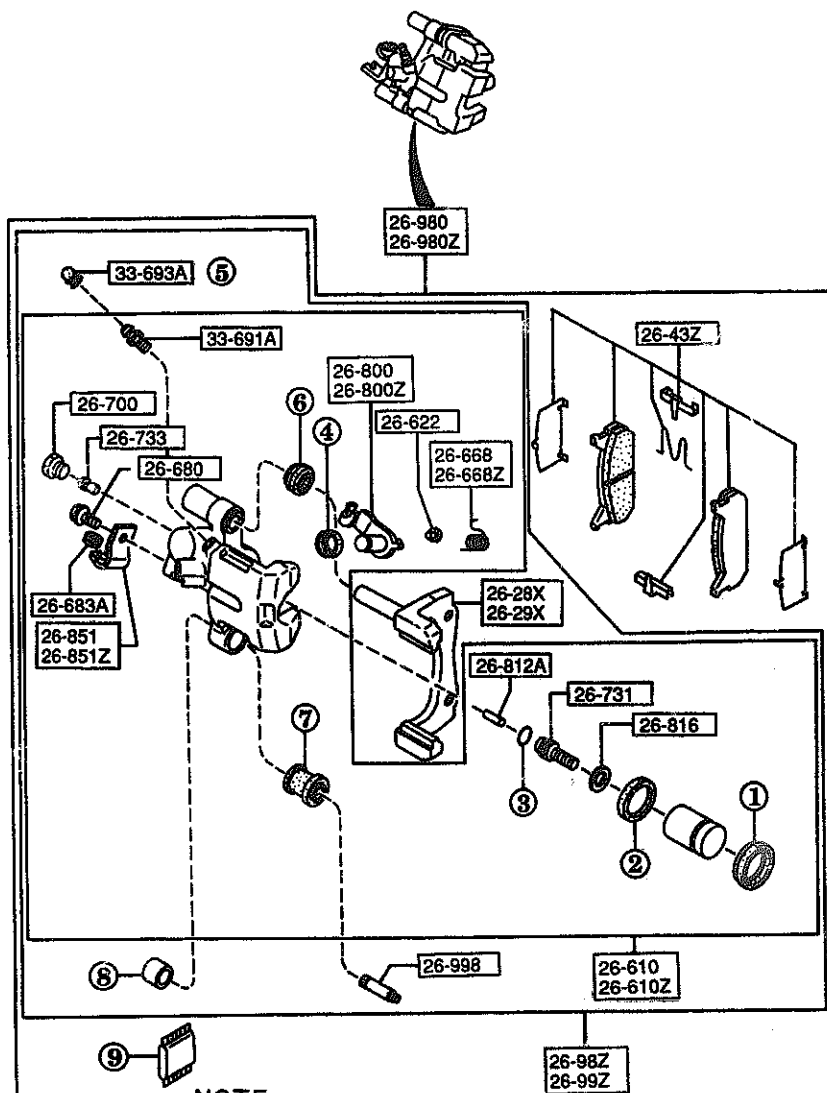
2610 REAR BRAKE MECHANISMS

2610 -1 REAR BRAKE MECHANISMS



PART NO.	QTY	MODEL/RESTRICTION	MODEL/RESTRICTION	MODEL/RESTRICTION	FROM-TO
26-28X NA10-26-28X	1	SUPPORT(R), MOUNTING			
26-29X NA10-26-29X	1	SUPPORT(L), MOUNTING			
26-43Z NAY0-26-43Z	1	PAD SET, RR CALIPER NON ASBESTOS			
26-46Z NAY1-26-46Z	1	SEAL & BOOT SET, CAL. -RR			
26-610 NAD1-26-61X	1	BODY & PISTON(R), CAL IPER			
26-610Z NAD1-26-71X	1	BODY & PISTON(L), CAL IPER			
26-622 BWOH-26-696	2	PIN, STOPPER-RR CALIP ER			
26-668 BWOH-26-668	1	SPRING(R), LEVER			
26-668Z BWOH-26-669	1	SPRING(L), LEVER			
26-680 BWOH-26-680	2	BOLT			
26-683A BWOH-26-683	2	PROTECTOR			-3701
26-700 BWOH-26-700	2	PLUG, SCREW			
26-731 BWOH-26-731	2	SPINDLE, ADJUSTER			-3601
GAZE-26-731	2				3601-
3601 NA351R-422220 3701 NA351R-423706					

2610 REAR BRAKE MECHANISMS



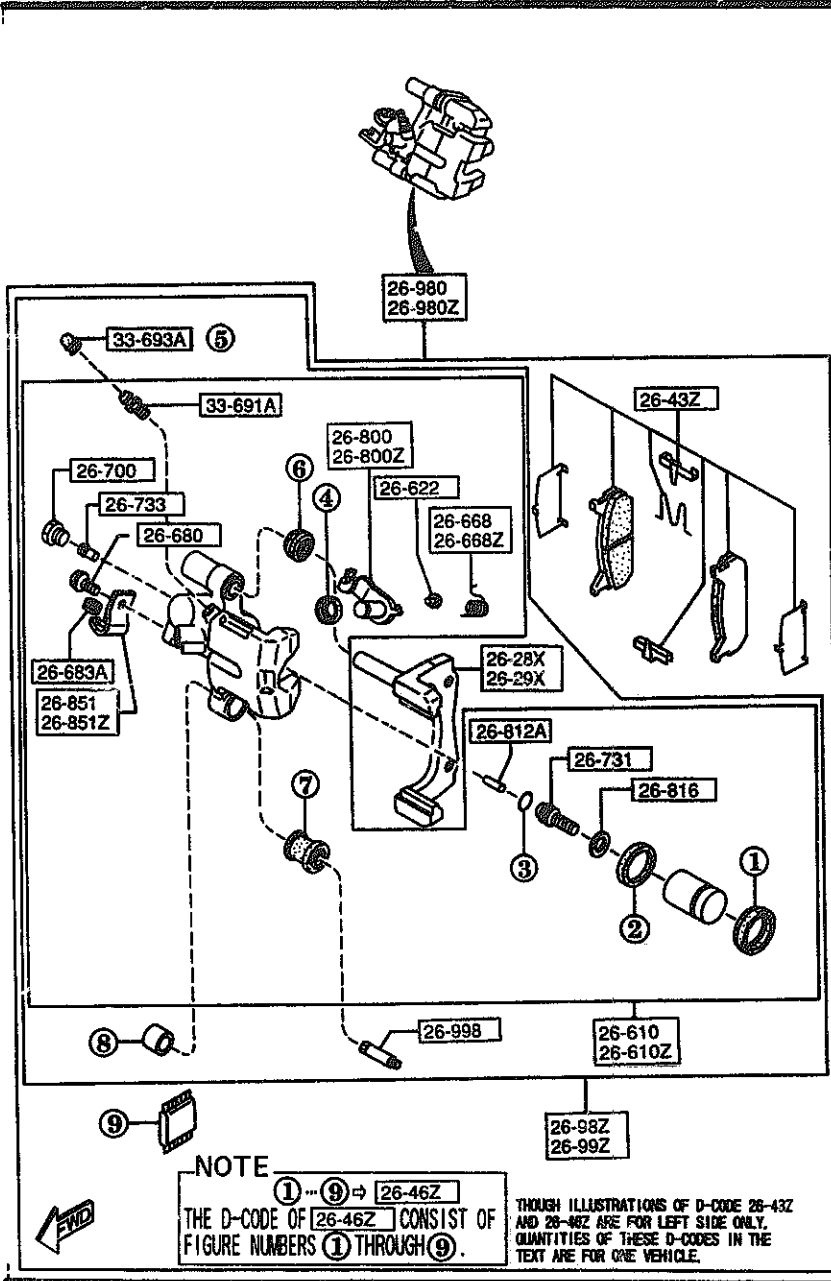
NOTE

①...⑨ ⇒ 26-46Z
 THE D-CODE OF 26-46Z CONSISTS OF
 FIGURE NUMBERS ① THROUGH ⑨.

THOUGH ILLUSTRATIONS OF D-CODE 26-43Z
 AND 26-48Z ARE FOR LEFT SIDE ONLY,
 QUANTITIES OF THESE D-CODES IN THE
 TEXT ARE FOR ONE VEHICLE.

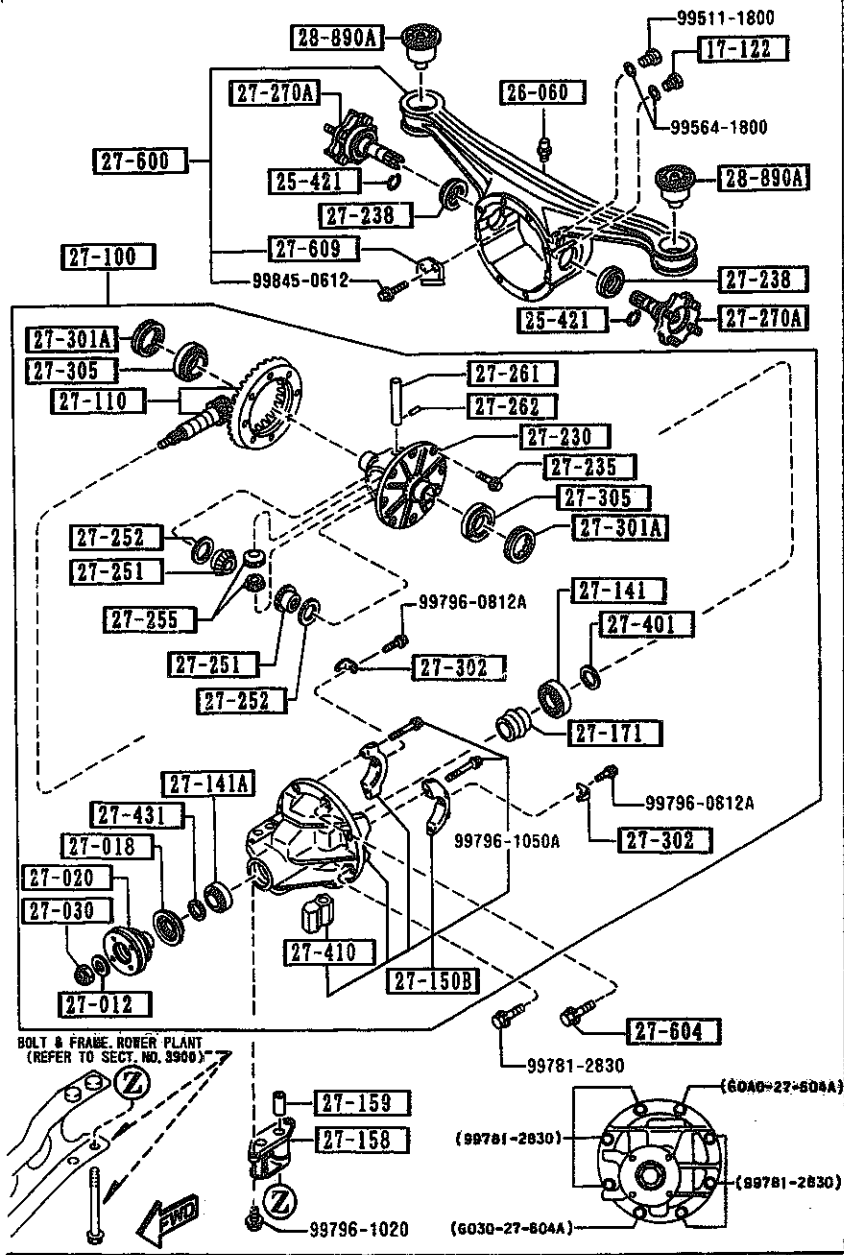
PART NO.	QTY	MODEL/RESTRICTION	MODEL/RESTRICTION	MODEL/RESTRICTION	FROM-TO
26-733		GEAR, ADJUST			
BWOH-26-733	2				
26-800		LEVER(R), OPERATING			
BWOH-26-800	1				-3701
AN(BR76-26-800)					3701-
BR76-26-800	1				
26-800Z		LEVER(L), OPERATING			
BWOH-26-810	1				-3701
AN(BR76-26-810)					3701-
BR76-26-810	1				
26-812A		ROD, PUSH-FRT CALIPER			
BWOH-26-812	2				
26-816		RING, SNAP-RR CALIPER			
GAZE-26-816	2				
26-851		BRACKET(R), CABLE			
BWOH-26-851	1				
26-851Z		BRACKET(L), CABLE			
BWOH-26-861	1				
26-98Z		CALIPER(R), PADLESS-R			
NA01-26-98Z	1				2801-
26-980		CALIPER(R), RR BRAKE			
NA01-26-980A	1				
26-980Z		CALIPER(L), RR BRAKE			
NA01-26-990A	1				
26-99Z		CALIPER(L), PADLESS-R			
NA01-26-99Z	1				2801-
26-998		PIN, GUIDE			
BWOH-26-998A	2				
33-691A		SCREW, BLEEDER			
2801 NA351K-405459					
3701 NA351K-423706					

2610 REAR BRAKE MECHANISMS



PART NO.	QTY	MODEL/RESTRICTION	MODEL/RESTRICTION	MODEL/RESTRICTION	FROM-TO
CONT'D BWOH-26-691	2				
33-693A		CAP, BLEEDER SCREW			
0259-33-693	2				

2710 REAR DIFFERENTIALS
(NORMAL DIFF.)



AUNA03

2710 -1 REAR DIFFERENTIALS
(NORMAL DIFF.)

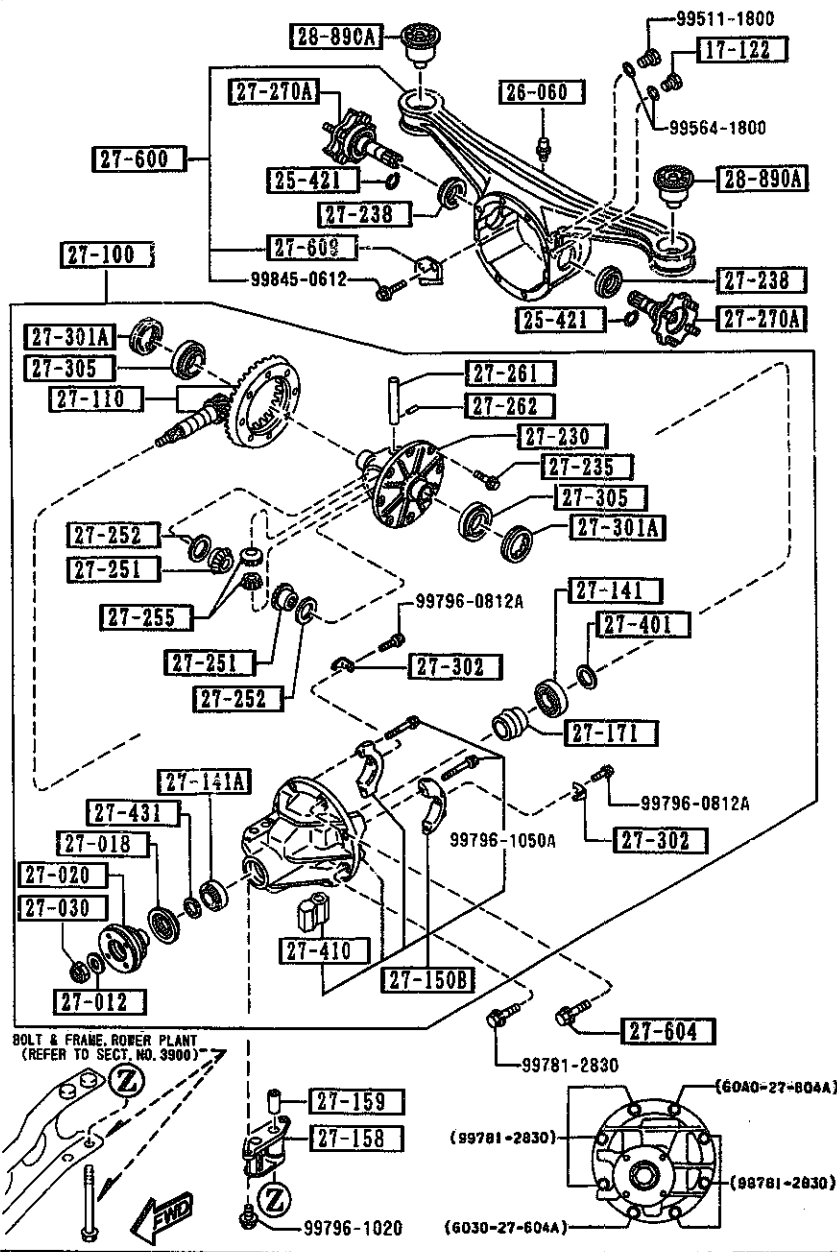
PART NO.	QTY	MODEL/RESTRICTION	MODEL/RESTRICTION	MODEL/RESTRICTION	FROM-TO
17-122		PLUG, MAGNET			
0810-17-121	1				
25-421		CLIP			
F002-25-421	2				
26-060		BREATHER			
0730-26-060	1				
27-012		WASHER			
3919-27-012	1				
27-018		SEAL, OIL			
T020-27-165	1				
27-020		FLANGE, COMPANION			
T002-27-120B	1				
27-030		NUT, LOCK			
3919-27-130	1				
27-100		DRIVING & DIFF.			
T020-27-100L	1				
27-110		GEAR SET, FINAL R=4.300			
T020-27-110C	1				
27-141		BEARING, PINION			
0755-27-210	1				
27-141A		BEARING, PINION			
3919-27-220	1				
27-150B		CARRIER, DIFFERENTIAL -FRT			
T020-27-150E	1				
27-158		SPACE			
T020-27-158A	1				
27-159		PIN, TUBULAR			
(60A0-27-604A)					
(99781-2830)					
(6030-27-804A)					
(99781-2830)					

CAT. AUNA03-04

1994-10

2710 REAR DIFFERENTIALS
(NORMAL DIFF.)

2710 -2 REAR DIFFERENTIALS
(NORMAL DIFF.)



PART NO.	QTY	MODEL/RESTRICTION	MODEL/RESTRICTION	MODEL/RESTRICTION	FROM-TO
CONT'D					
T020-27-159A	1				
27-171		PIECE, DISTANCE			
T020-27-171	1				
27-230		CASE			
T005-27-231	1				
27-235		BOLT, RING GEAR			
3919-27-235	8	D=10.2MM			
3919-27-236	8	D=10MM			
27-238		SEAL, OIL			
T020-27-238	2				
27-251		GEAR, DIFF. SIDE			
F035-27-251	2				
27-252		WASHER			
F001-27-252	2	T=2MM			
F001-27-253	2	T=2.1MM			
F001-27-254	2	T=2.2MM			
27-255		PINION, DIFFERENTIAL			
T020-27-255A A (T020-27-255B)	2				-3701
T020-27-255B	2				3701-
27-261		SHAFT, DIFF. PINION			
F001-27-261A	1				
27-262		PIN			
0114-27-262	1				
27-270A		SHAFT, OUTPUT			
T005-27-270C	2				
3701 NA351*-423706					

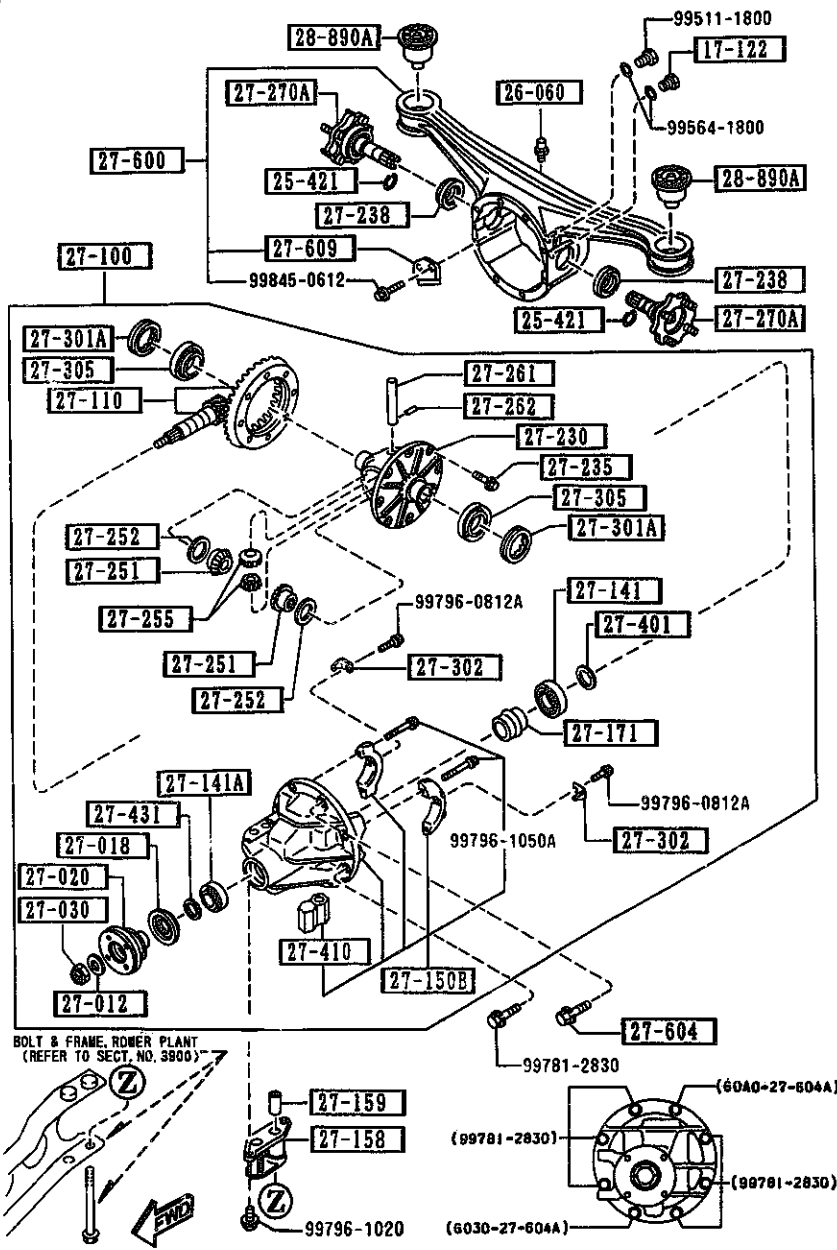
CAT. AUNA03-04

1994-10

AUNA03

2710 REAR DIFFERENTIALS
(NORMAL DIFF.)

2710 -3 REAR DIFFERENTIALS
(NORMAL DIFF.)



PART NO.	QTY	MODEL/RESTRICTION	MODEL/RESTRICTION	MODEL/RESTRICTION	FROM-TO
27-301A		SCREW, ADJ.			
0180-27-301A	2				
27-302		PLATE, LOCK			
0290-27-302	2				
27-305		BEARING			
0249-27-350	2				
27-401		SPACER			
T006-27-401	1	T=2.08MM			
T006-27-402	1	T=2.11MM			
T006-27-403	1	T=2.14MM			
T006-27-404	1	T=2.17MM			
T006-27-405	1	T=2.2MM			
T006-27-406	1	T=2.23MM			
T006-27-407	1	T=2.26MM			
T006-27-408	1	T=2.29MM			
T006-27-409	1	T=2.32MM			
T006-27-411	1	T=2.35MM			
T006-27-412	1	T=2.38MM			
T006-27-413	1	T=2.41MM			
T006-27-414	1	T=2.44MM			
T006-27-415	1	T=2.47MM			
27-410		SPACER			
T020-27-410	1	L=50.850			
T021-27-410	1	L=50.875			

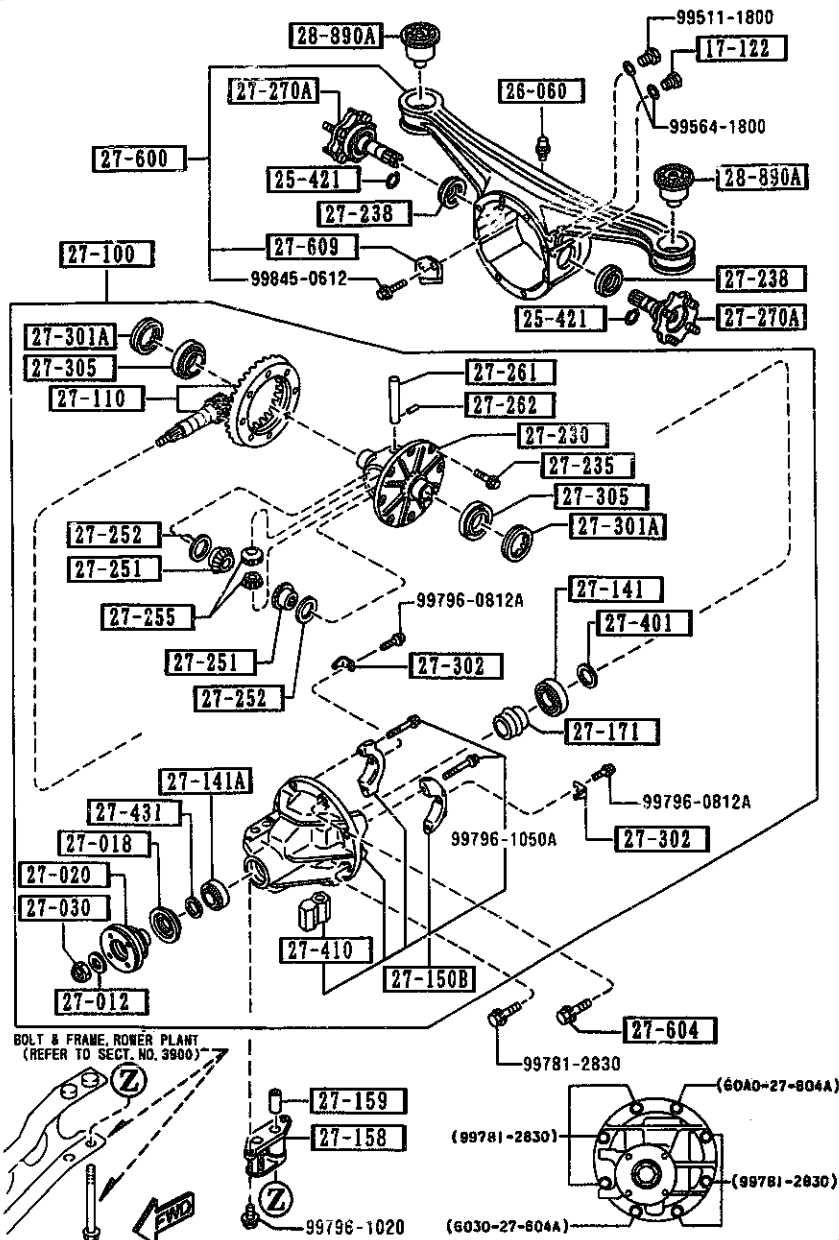
AUNA03

CAT. AUNA03-04

1994-10

2710 REAR DIFFERENTIALS
(NORMAL DIFF.)

2710 -4 * REAR DIFFERENTIALS
(NORMAL DIFF.)



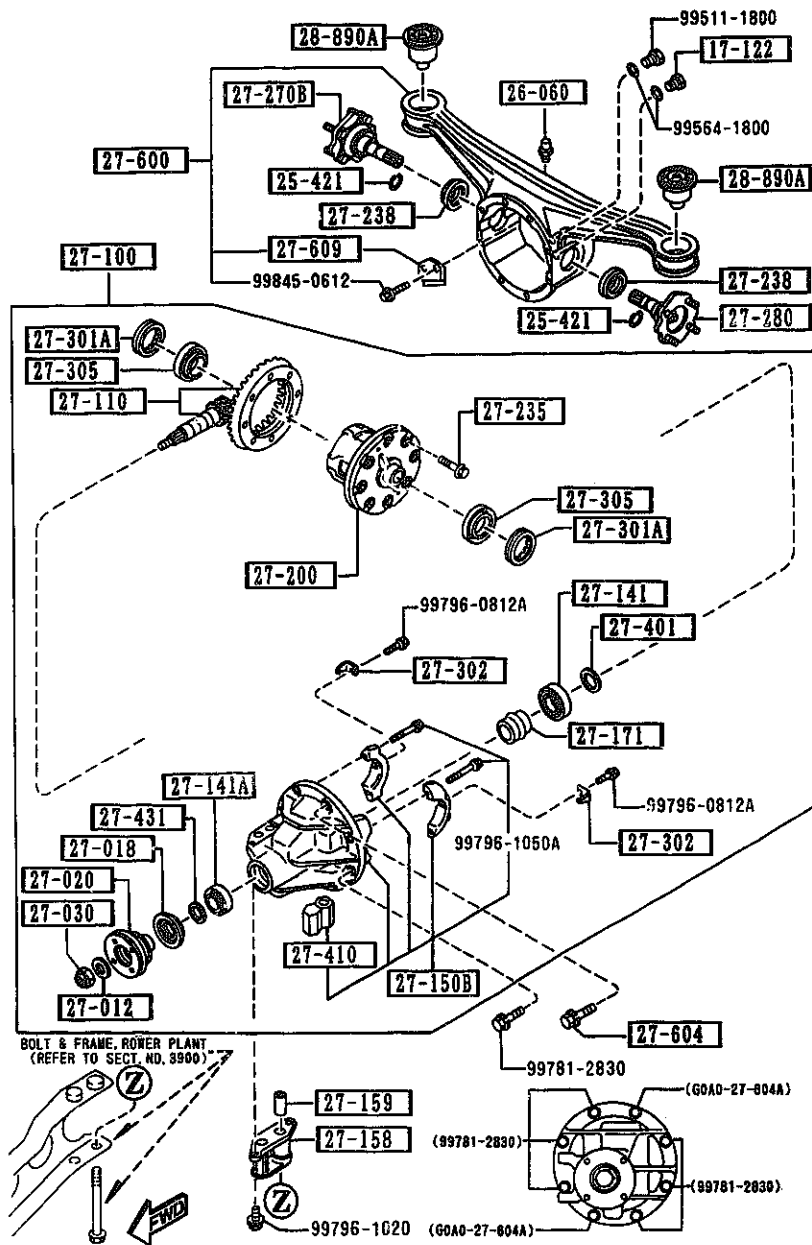
PART NO.	QTY	MODEL/RESTRICTION	MODEL/RESTRICTION	MODEL/RESTRICTION	FROM-TO
CONT'D					
T022-27-410	1	L=50.900			
T023-27-410	1	L=50.925			
T024-27-410	1	L=50.950			
T025-27-410	1	L=50.975			
T026-27-410	1	L=51.000			
T027-27-410	1	L=51.025			
T028-27-410	1	L=51.050			
27-431		SPACER			
TA01-27-431	1				
27-600		CASING, DIFFERENTIAL			
T020-27-600G	1				
27-604		BOLT, CARRIER			
GOA0-27-604A	2				
27-609		PLATE, BAFFLE-DIFF CASING			
T025-27-609	1				
28-890A		RUBBER, SUB FRAME MTG			
NA01-28-890	2				

CAT. AUNA03-04

1994-10

2710 A REAR DIFFERENTIALS
(LIMITED SLIP DIFF.)

2710 A-1 REAR DIFFERENTIALS
(LIMITED SLIP DIFF.)



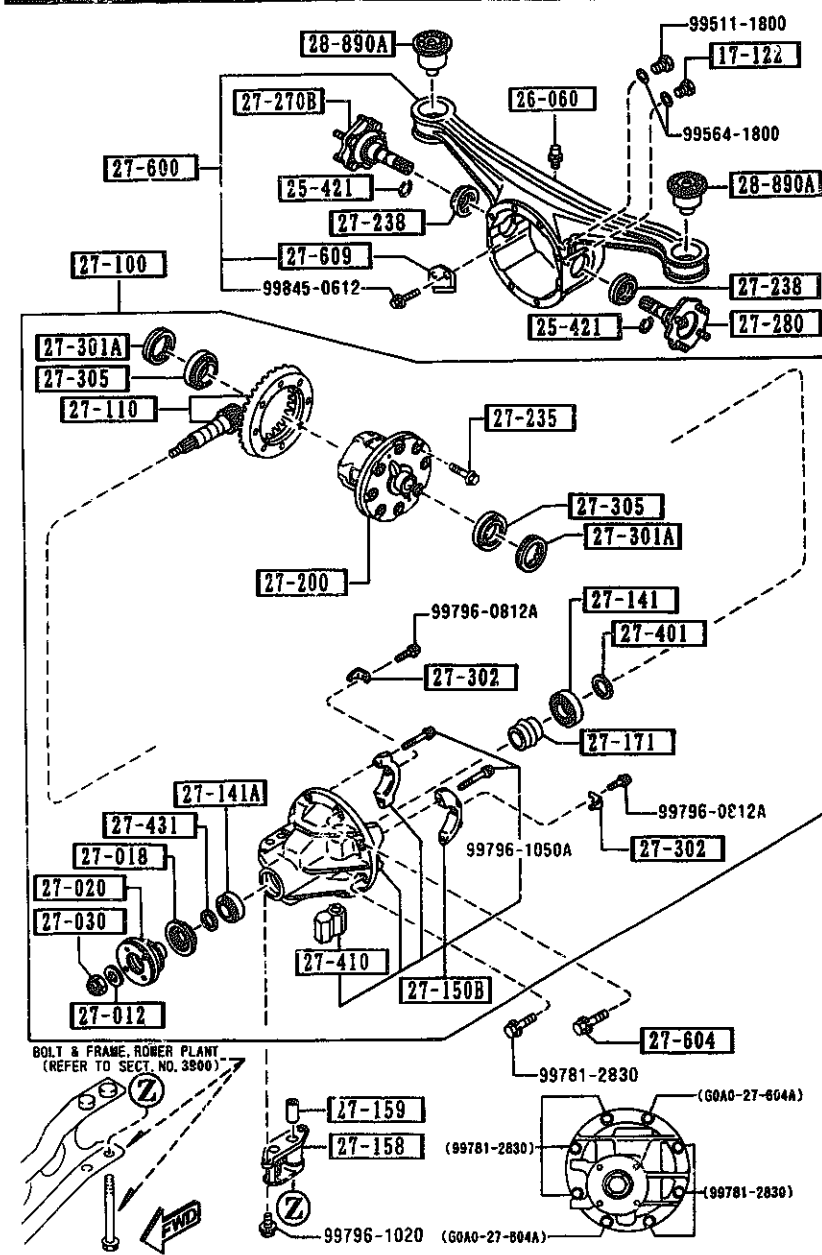
PART NO.	QTY	MODEL/RESTRICTION	MODEL/RESTRICTION	MODEL/RESTRICTION	FROM-TO
17-122		PLUG, MAGNET			
0910-17-121	1				
25-421		CLIP			
F002-25-421	2				
26-060		BREATHER			
0730-26-060	1				
27-012		WASHER			
3919-27-012	1				
27-018		SEAL, OIL			
T020-27-165	1				
27-020		FLANGE, COMPANION			
T002-27-120B	1				
27-030		NUT, LOCK			
3919-27-130	1				
27-100		DRIVING & DIFF.			
T025-27-100L	1				
27-110		GEAR SET, FINAL			
T020-27-110C	1	R=4.300			
27-141		BEARING, PINION			
0755-27-210	1				
27-141A		BEARING, PINION			
3919-27-220	1				
27-150B		CARRIER, DIFFERENTIAL			
T020-27-150E	1	-FRT			
27-158		SPACE			
T020-27-158A	1				
27-159		PIN, TUBULAR			

AUNA03

CAT. AUNA03-04

1994-10

2710 A REAR DIFFERENTIALS
(LIMITED SLIP DIFF.)



AUNA03

2710 A-2 REAR DIFFERENTIALS
(LIMITED SLIP DIFF.)

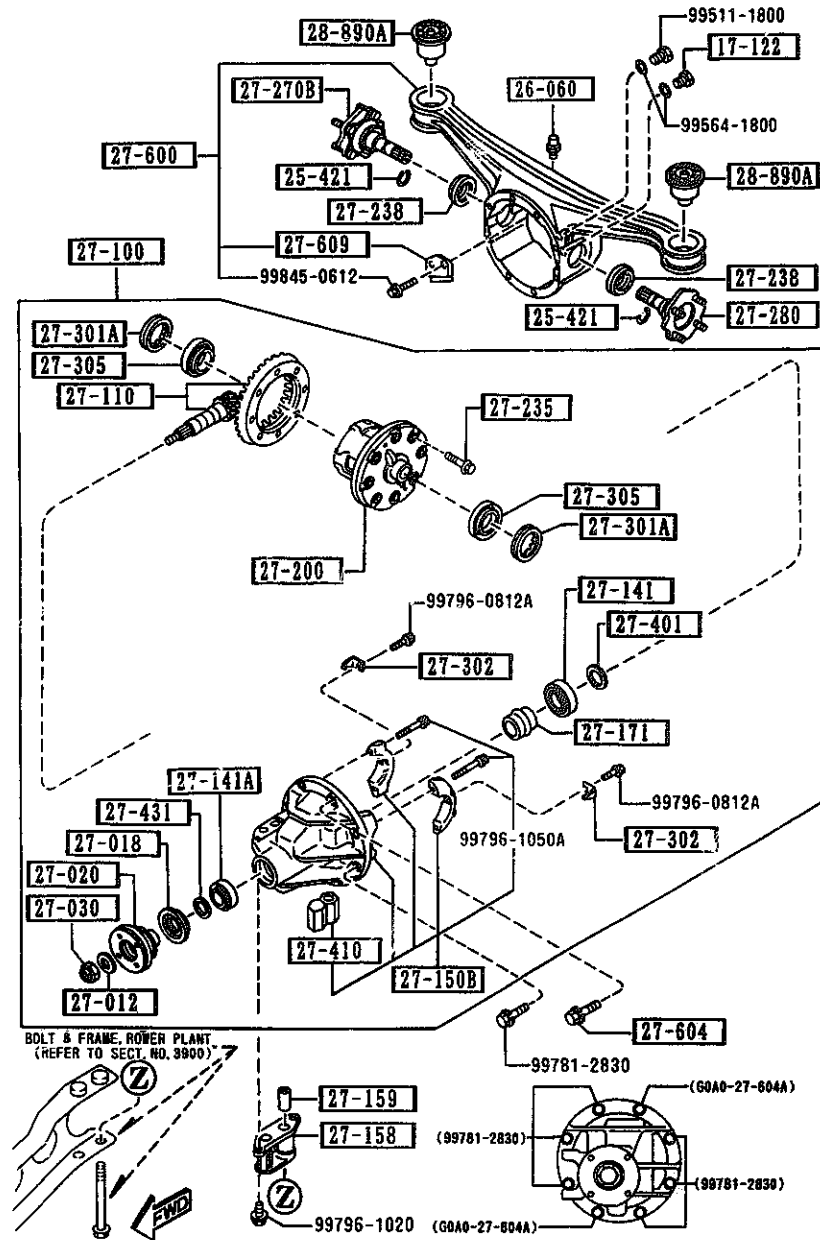
PART NO.	QTY	MODEL/RESTRICTION	MODEL/RESTRICTION	MODEL/RESTRICTION	FROM-TO
CONT'D					
T020-27-159A	1				
27-171		PIECE, DISTANCE			
T020-27-171	1				
27-200		DIFFERENTIAL			
T016-27-200C	1				
27-235		BOLT, RING GEAR			
3919-27-235	8	D=10.2MM			
3919-27-236	8	D=10MM			
27-238		SEAL, OIL			
T020-27-238	2				
27-270B		SHAFT(R), OUTPUT			
T015-27-270A	1				
27-280		SHAFT(L), OUTPUT			
T015-27-280A	1				
27-301A		SCREW, ADJUST			
0180-27-301A	2				
27-302		PLATE, LOCK			
0290-27-302	2				
27-305		BEARING			
0249-27-350	2				
27-401		SPACER			
T006-27-401	1	T=2.08MM			
T006-27-402	1	T=2.11MM			
T006-27-403	1	T=2.14MM			
T006-27-404	1	T=2.17MM			
T006-27-405	1	T=2.2MM			

CAT. AUNA03-04

1994-10

2710 A REAR DIFFERENTIALS
(LIMITED SLIP DIFF.)

2710 A-3 REAR DIFFERENTIALS
(LIMITED SLIP DIFF.)



PART NO.	QTY	MODEL/RESTRICTION	MODEL/RESTRICTION	MODEL/RESTRICTION	FROM-TO
CONT'D					
T006-27-405	1	T=2.23MM			
T006-27-407	1	T=2.26MM			
T006-27-408	1	T=2.29MM			
T006-27-409	1	T=2.32MM			
T006-27-411	1	T=2.35MM			
T006-27-412	1	T=2.38MM			
T006-27-413	1	T=2.41MM			
T006-27-414	1	T=2.44MM			
T006-27-415	1	T=2.47MM			
27-410		SPACER			
T020-27-410	1	L=50.850			
T021-27-410	1	L=50.875			
T022-27-410	1	L=50.900			
T023-27-410	1	L=50.925			
T024-27-410	1	L=50.950			
T025-27-410	1	L=50.975			
T026-27-410	1	L=51.000			
T027-27-410	1	L=51.025			
T028-27-410	1	L=51.050			
27-431		SPACER			
TA01-27-431	1				
27-600		CASING, DIFFERENTIAL			
T020-27-600G	1				

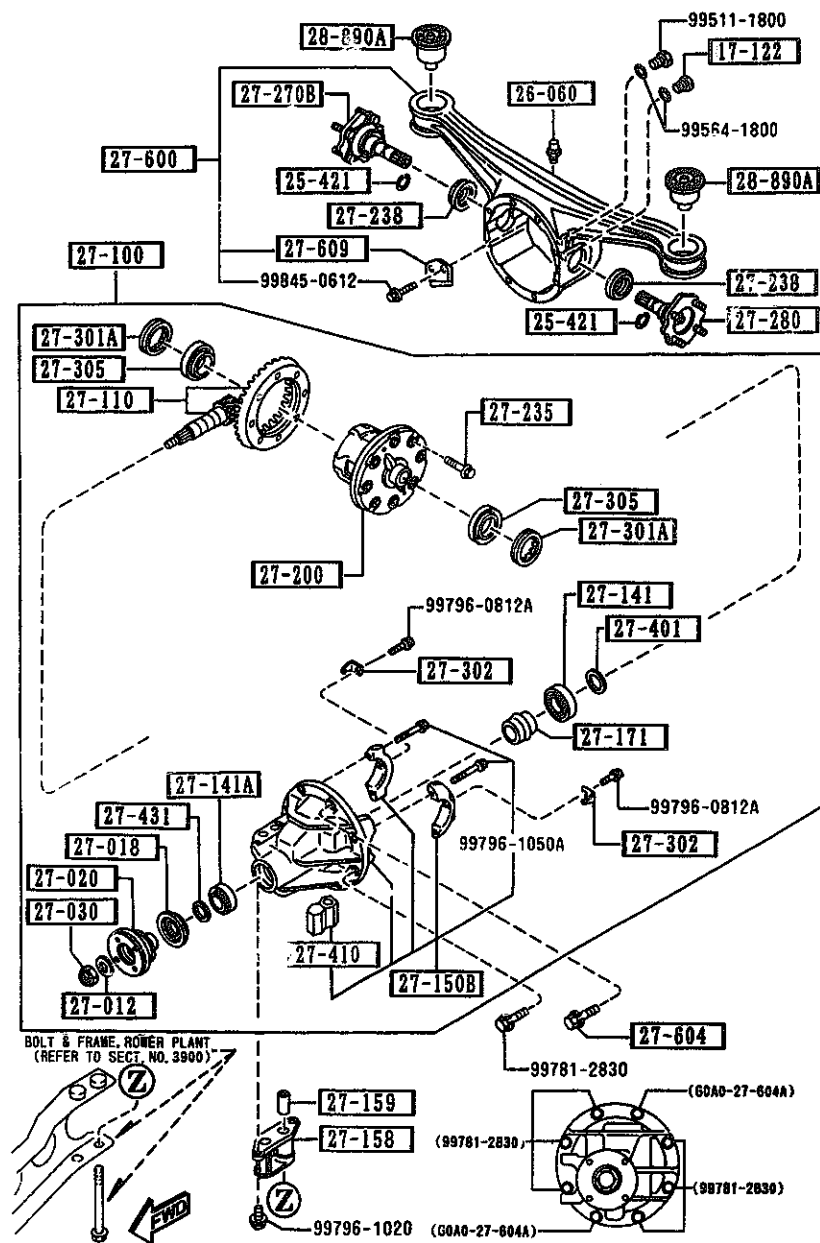
AUNA03

CAT. AUNA03-04

1994-10

2710 A REAR DIFFERENTIALS
(LIMITED SLIP DIFF.)

2710 A-4 * REAR DIFFERENTIALS
(LIMITED SLIP DIFF.)



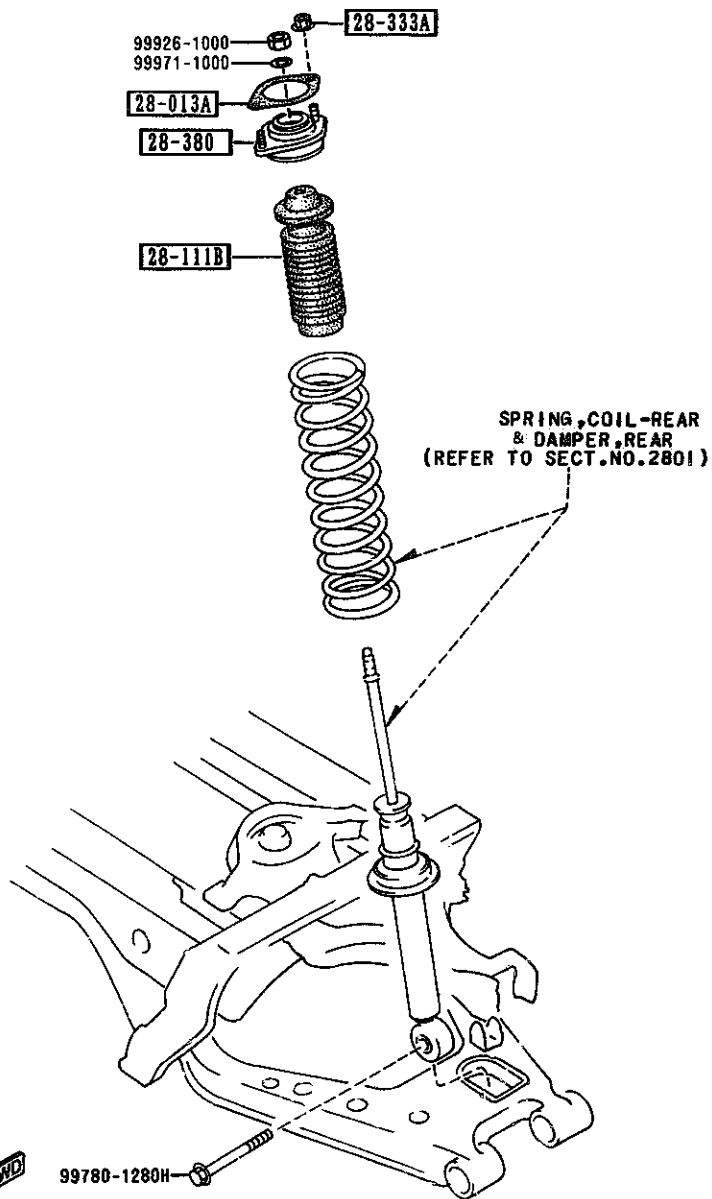
PART NO.	QTY	MODEL/RESTRICTION	MODEL/RESTRICTION	MODEL/RESTRICTION	FROM-TO
27-604		BOLT, CARRIER			
GOA0-27-604A	2				
27-609		PLATE, BAFFLE-DIFF CASING			
T025-27-609	1				
28-890A		RUBBER, SUB FRAME MTG			
NA01-28-890	2				

AUNA03

CAT. AUNA03-04

1994-10

2800 REAR SUSPENSION MECHANISMS



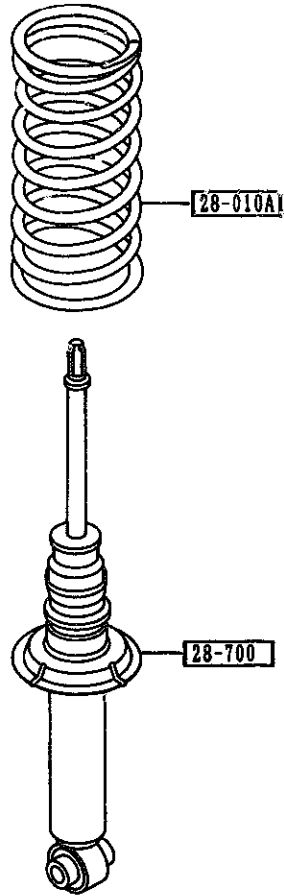
PART NO.	QTY	MODEL/RESTRICTION	MODEL/RESTRICTION	MODEL/RESTRICTION	FROM-TO
28-013A G030-28-013A	2	SHEET, RUBBER			
28-111B NA01-28-111	2	STOPPER, BUMP (MT) > (EXC. BILSTEIN DAMP.) (AT)			
NO21-34-111	2	(MT) > (BILSTEIN DAMP .)			
28-333A H001-28-333	4	NUT, FLANGE			
28-380 NA01-28-380B	2	RUBBER, MOUNTING			

AUNA03

CAT. AUNA03-04

1994-10

2801 REAR SPRING & DAMPER



2801 -1 * REAR SPRING & DAMPER

PART NO.	QTY	MODEL/RESTRICTION	MODEL/RESTRICTION	MODEL/RESTRICTION	FROM-TO
28-010A		SPRING, COIL-REAR			
NA01-28-011C	2	((MT))>(EXC. BILSTEIN DAMP.)			
NA03-28-011A	2	(AT)			
N021-28-011	2	((MT))>(BILSTEIN DAMP.)			
28-700		DAMPER, REAR			
N023-28-700A	2	((MT))>(BILSTEIN DAMP.)			
N018-28-700 A (N018-28-700A)	2	(AT) ((MT))>(EXC. BILSTEIN DAMP.)			-3701
MN018-28-700A	2	(AT) ((MT))>(EXC. BILSTEIN DAMP.)			3701-

3701 NA351K-423706



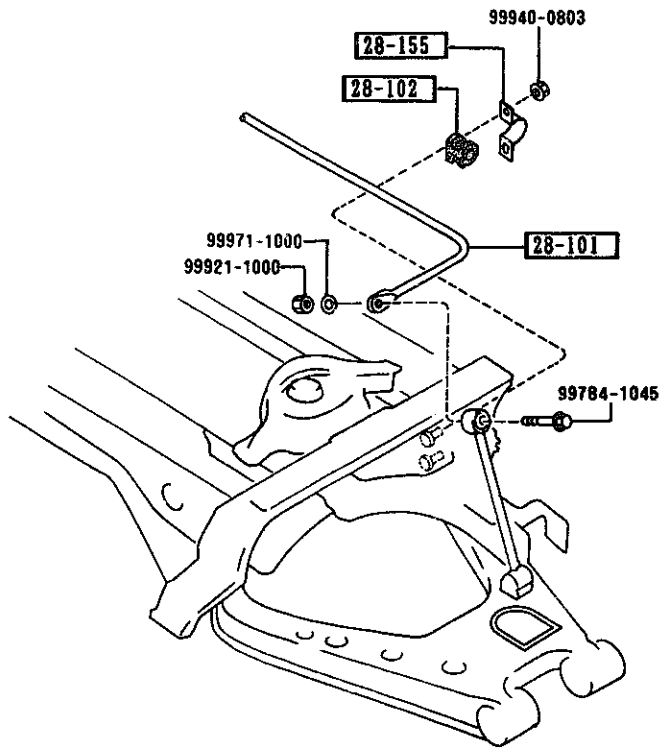
AUNA03

CAT. AUNA03-04

1994-10

2810 -1 * REAR STABILIZER

2810 REAR STABILIZER



PART NO.	QTY	MODEL/RESTRICTION	MODEL/RESTRICTION	MODEL/RESTRICTION	FROM-TO
28-101 N023-28-151	1	STABILIZER,RR			
28-102 N023-28-156	2	BUSH,STABILIZER-RR			
28-155 FB01-28-155	2	PLATE,STABILIZER-RR			

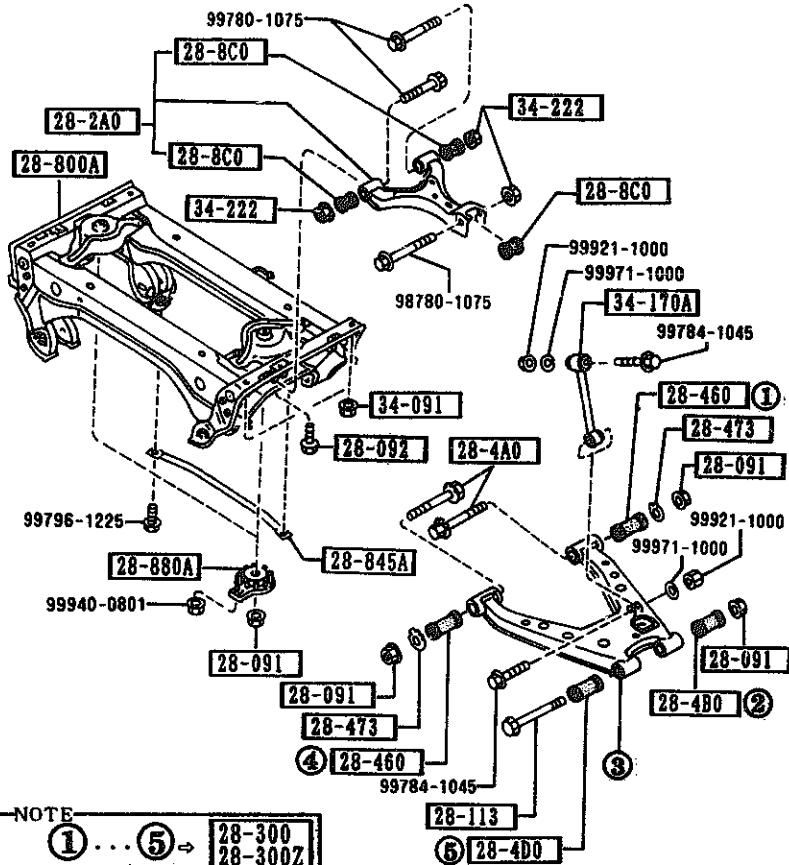


AUNA03

CAT. AUNA03-04

1994-10

2830 REAR LOWER ARMS & SUB FRAME



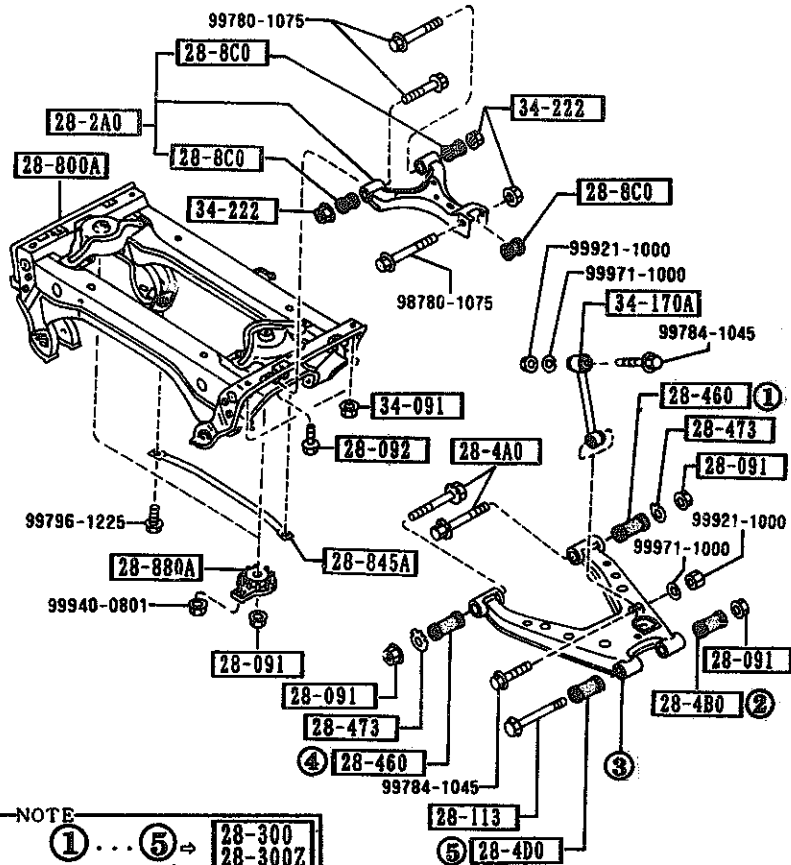
NOTE
 ① ... ⑤ → 28-300
 28-300Z
 THE D-CODE OF 28-300
 28-300Z CONSISTS OF
 FIGURE NUMBERS ① THROUGH ⑤.

PART NO.	QTY	MODEL/RESTRICTION	MODEL/RESTRICTION	MODEL/RESTRICTION	FROM-TO
28-091		NUT			
8037-28-091	8				
28-092		BOLT, CONTROL LINK			
NA01-28-092	2				
28-113		BOLT			
NA01-28-113	2				
28-2A0		ARM, UPPER-REAR			
NA01-28-2A0B	2				
28-300		ARM(R), LOWER-REAR			
NA01-28-300	1				
28-300Z		ARM(L), LOWER-REAR			
NA01-28-350	1				
28-4A0		BOLT, ADJUST			
NA01-28-4A0	4				
28-460		BUSHING, RUBBER-LOWER ARM			
NA01-28-460	2				
28-4D0		BUSHING, RUBBER-LOWER ARM			
NA01-28-4D0	2				
28-460		BUSHING, LOWER ARM			
NA01-28-460	4				
28-473		PLATE, CAM-SUB FRAME			
NA01-28-473	4				
28-8C0		BUSHING, RUBBER			
NA01-28-8C0B	6				
28-800A		MEMBER, CROSS			
N007-28-800D AN(NA75-28-800)	1				-3517
NA75-28-800	1				3517-

3517 NA351K-420915

2830 -2 * REAR LOWER ARMS & SUB FRAME

2830 REAR LOWER ARMS & SUB FRAME



NOTE
 ① ... ⑤ → 28-300
 28-300Z
 THE D-CODE OF 28-300
 28-300Z CONSISTS OF
 FIGURE NUMBERS ① THROUGH ⑤.

PART NO.	QTY	MODEL/RESTRICTION	MODEL/RESTRICTION	MODEL/RESTRICTION	FROM-TO
28-845A		BAR, REAR SUSPENSION			
N007-28-845A	1				
28-880A		WASHER, STOP			
NA01-28-880B	2				
34-091		NUT			
FB01-34-091	4				
34-170A		LINK, CONTROL-STAB			
NA01-34-170	2				
34-222		NUT			
8871-34-222	6				



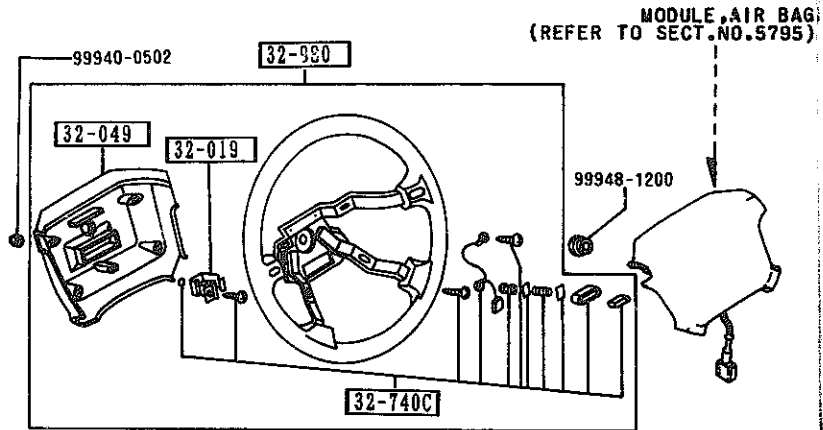
AUNA03

CAT. AUNA03-04

1994-10

3200 STEERING WHEEL

3200 -1 * STEERING WHEEL



PART NO.	QTY	MODEL/RESTRICTION	MODEL/RESTRICTION	MODEL/RESTRICTION	FROM-TO
32-019		BRACKET, COUPLER			
NA01-32-019	1				
32-049		COVER, WHEEL CORE			
NA01-32-049	1				
32-740C		PARTS SET, ST. WHEEL			
NA01-32-750	1				
32-980		BOSS, STEERING WHEEL			
NA01-32-980C	1	BASE, (URETHANE WHEEL)			
NA02-32-980C	1	PKG-A, RICO-20TH-ANV (LEATHER WHEEL)			

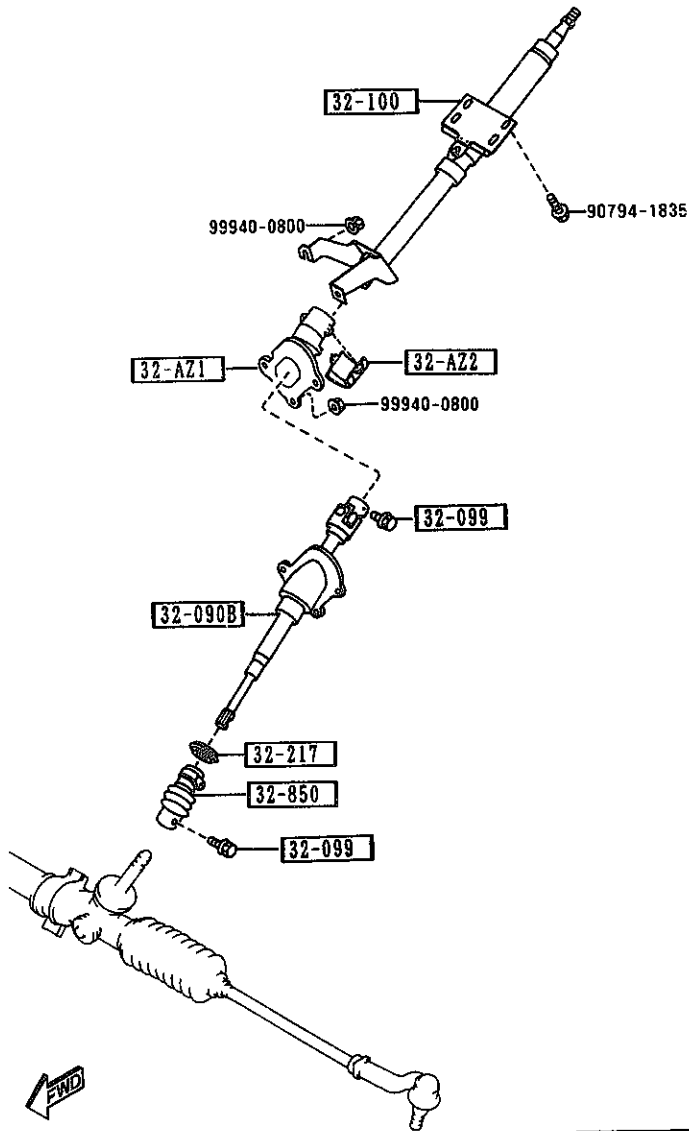
AUNA03

CAT. AUNA03-04

1994-10

3210 -1 * STEERING COLUMN & SHAFTS

3210 STEERING COLUMN & SHAFTS



PART NO.	QTY	MODEL/RESTRICTION	MODEL/RESTRICTION	MODEL/RESTRICTION	FROM-TO
32-AZ1 NA01-32-AZ1B	1	COVER, JOINT-UPPER			
32-AZ2 NA01-32-AZ2A	1	COVER, JOINT-LOWER			
32-090B NA01-32-090C	1	SHAFT, INTERMED. BASE, (W/O POWER STEERING)			
NA02-32-090C	1	PKG-A, RICO-20TH-ANV (W/POWER STEERING)			
32-099 B455-32-099	3	BOLT, SHAFT			
32-100 NA01-32-100B	1	SHAFT, ENGY. ABSORBER			
32-217 NA01-32-217	1	GROMMET			
32-850 NA01-32-850A	1	JOINT, STEERING			

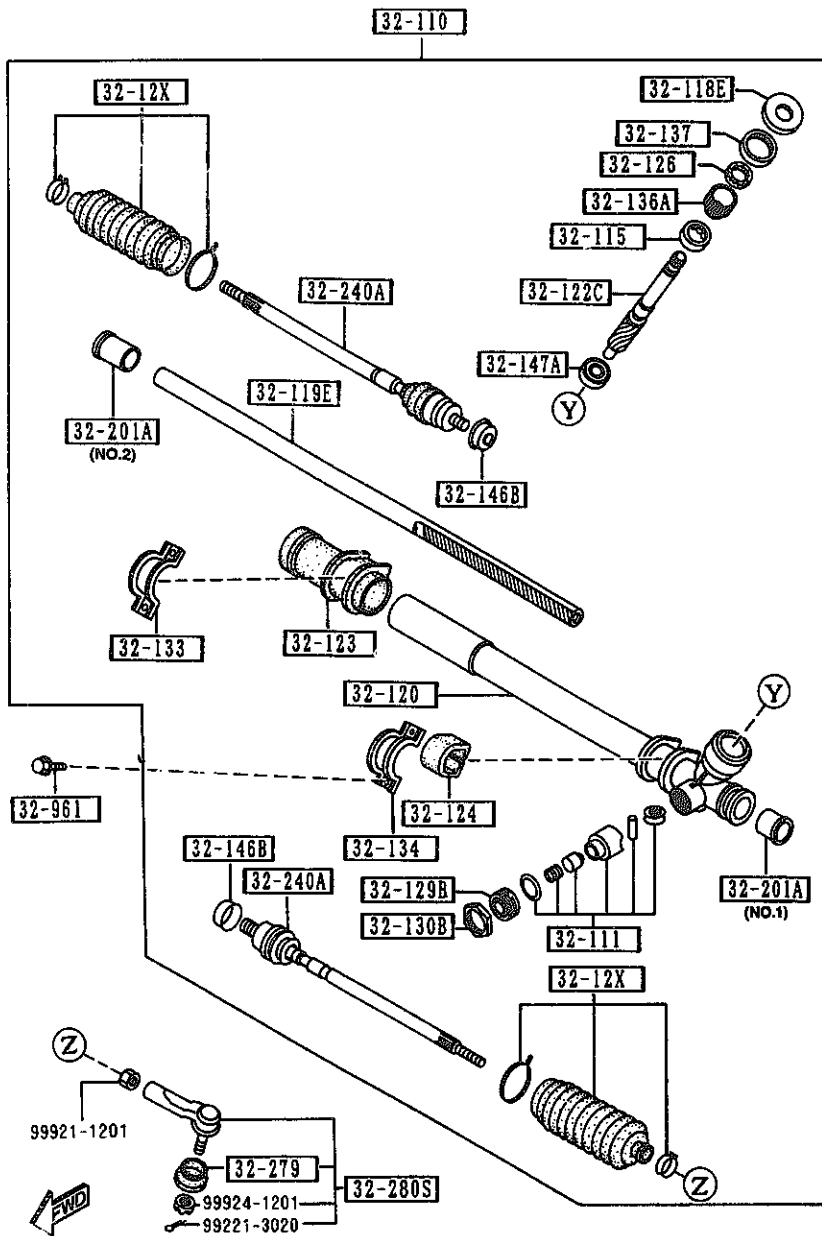
AUNA03

CAT. AUNA03-04

1994-10

3220 STEERING GEAR
(W/O POWER STEERING)

3220 -1 STEERING GEAR
(W/O POWER STEERING)



PART NO.	QTY	MODEL/RESTRICTION	MODEL/RESTRICTION	MODEL/RESTRICTION	FROM-TO
32-110		GEAR, STEERING			
NA01-32-110	1				
32-111		YOKE, SUPPORT			
GJ21-32-111	1				
32-115		BEARING, ST. GEAR			
GD30-32-115	1				
32-118E		COVER, DUST-ST. GEAR			
NA01-32-118	1				
32-119E		RACK, STEERING GEAR			
NA01-32-119	1				
32-12X		BOOT SET, ST. GEAR			
NA01-32-12X	2				
32-120		HOUSING, GEAR			
NA01-32-120	1				
32-122C		PINION, STEERING GEAR			
NA01-32-122	1				
32-123		RUBBER, MOUNTING			
NA01-32-123	1				
32-124		RUBBER, MOUNTING			
NA01-32-124	1				
32-126		SEAL, SHAFT			
GD30-32-126	1				
32-129B		PLUG, PINION			
HE01-32-129	1				
32-130B		NUT, LOCK			
S083-32-137	1				
32-133		PLATE, CLAMP			
BC51-32-133	1				

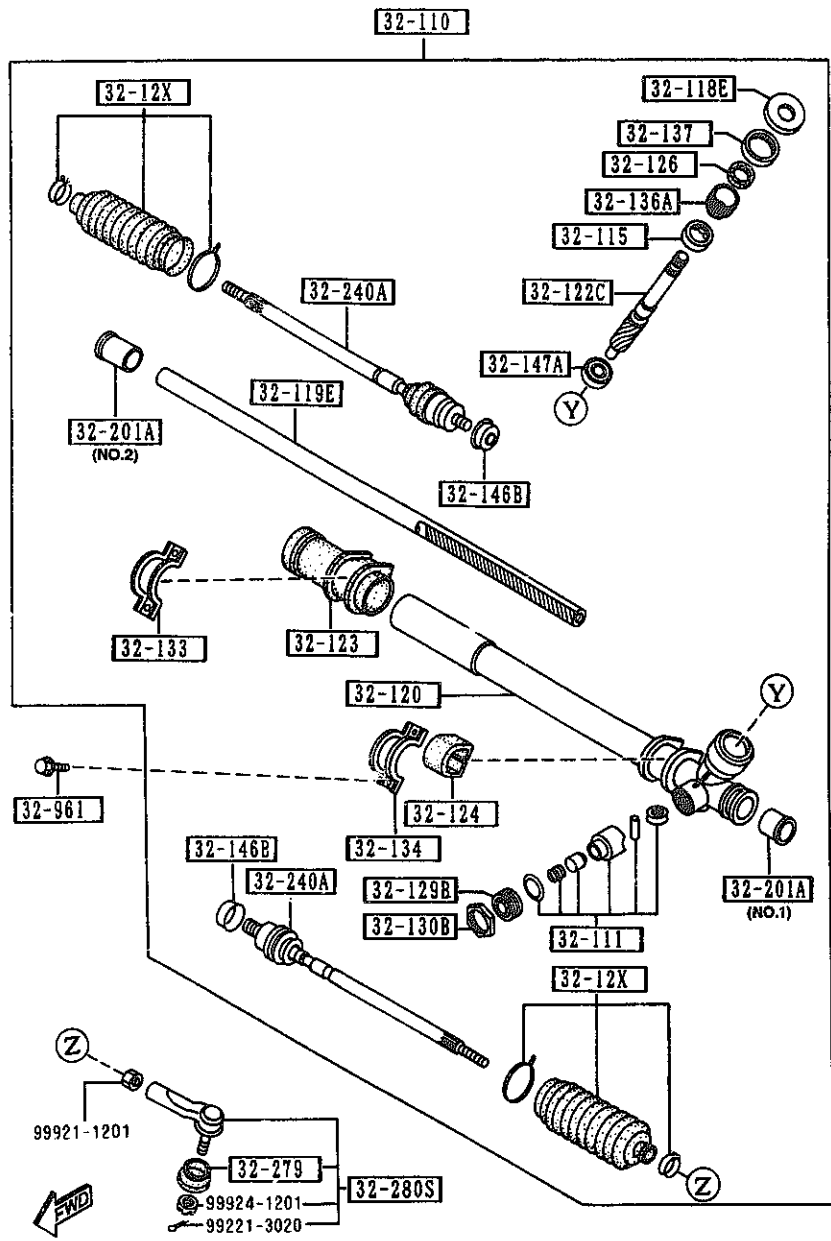
AUNA03

CAT. AUNA03-04

1994-10

3220 STEERING GEAR
(W/O POWER STEERING)

3220 -2 * STEERING GEAR
(H/O POWER STEERING)



PART NO.	QTY	MODEL/RESTRICTION	MODEL/RESTRICTION	MODEL/RESTRICTION	FROM-TO
32-134		PLATE, CLAMP			
NA01-32-134	1				
32-136A		COVER, REAR			
G030-32-136	1				
32-137		NUT, LOCK			
S030-32-137	1				
32-146B		WASHER			
HA14-32-146	2				
32-147A		BEARING, PINION			
G030-32-147	1				
32-201A		BUSHING, RACK-ST. GEAR (ILLUST. NO.1)			
HE01-32-201	1				
HE09-32-201	1	(ILLUST. NO.2)			
32-240A		JOINT, BALL			
NA01-52-240	2				
32-279		SEAL, DUST-BALL JOINT			
B455-32-279	2				
32-280S		JOINT SET, BALL (EXC. BILSTEIN DAMP.)			
BAN1-32-280	2				
BAN2-32-280	2	(BILSTEIN DAMP.)			
32-961		BOLT			
G030-32-961	4				

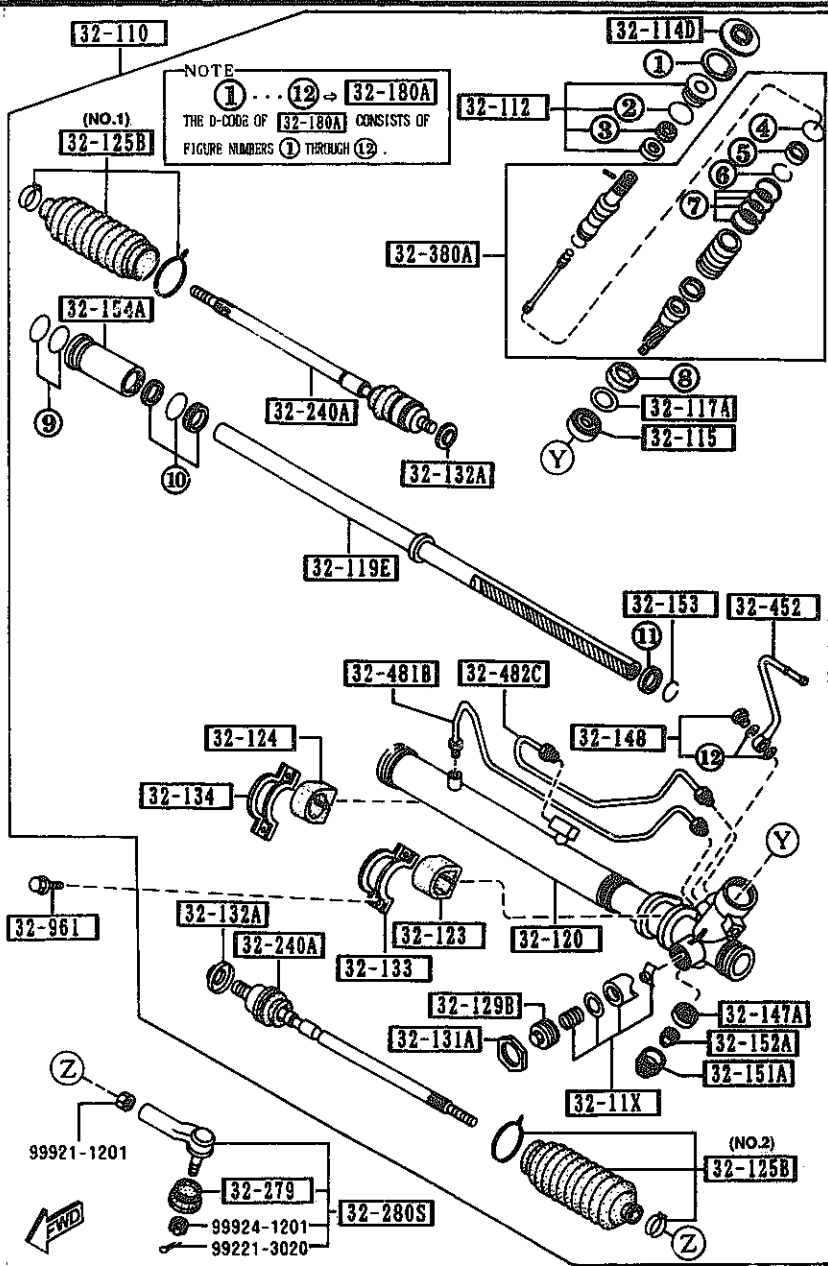
AUNA03

CAT. AUNA03-04

1994-10

3220 A STEERING GEAR
(W/ POWER STEERING)

3220 A-1 STEERING GEAR
(W/ POWER STEERING)



PART NO.	QTY	MODEL/RESTRICTION	MODEL/RESTRICTION	MODEL/RESTRICTION	FROM-TO
32-11X		YOKE SET, SUPPORT-ST. GEAR			
NA02-32-11X	1				
32-110		GEAR, STEERING			
NA02-32-110	1				
32-112		COVER, DUST			
NA02-32-112	1				
32-114D		COVER, DUST-ST. GEAR			
NA02-32-114	1				
32-115		BEARING, ST. GEAR			
NA02-32-115	1				
32-117A		SPACER, STEERING GEAR			
NA02-32-121	1				
32-119E		RACK, STEERING GEAR			
NA02-32-119	1				
32-120		HOUSING, GEAR			
NA02-32-120	1				
32-123		RUBBER, MOUNTING			
NA02-32-123	1				
32-124		RUBBER, MOUNTING			
NA02-32-124	1				
32-125B		BOOT, RACK			
NA02-32-125	1	(ILLUST. NO.1)			
NA02-32-135	1	(ILLUST. NO.2)			
32-129B		PLUG, PINION			
NA02-32-129	1				
32-131A		NUT, LOCK-RACK			
NA02-32-131	1				

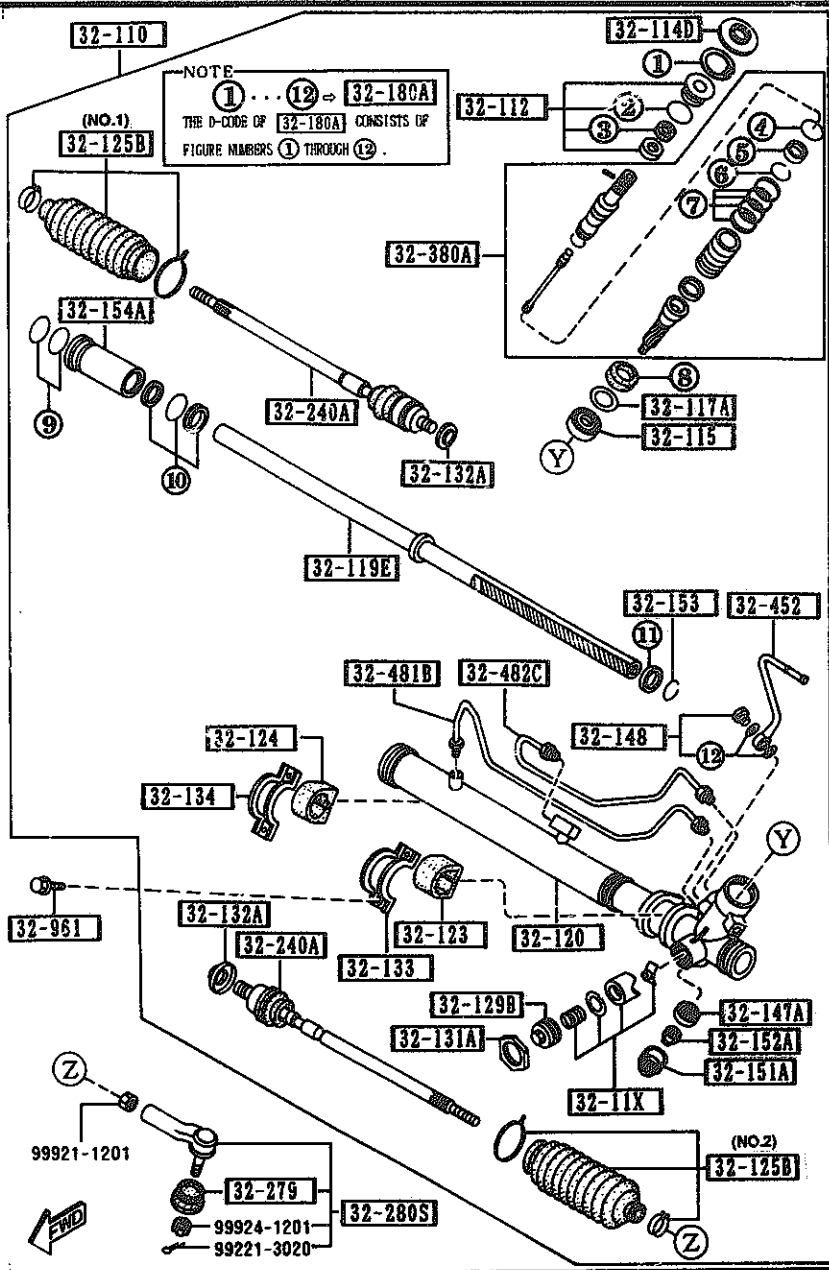
AUNA03

CAT. AUNA03-04

1994-10

3220 A STEERING GEAR
(W/ POWER STEERING)

3220 A-2 STEERING GEAR
(W/ POWER STEERING)



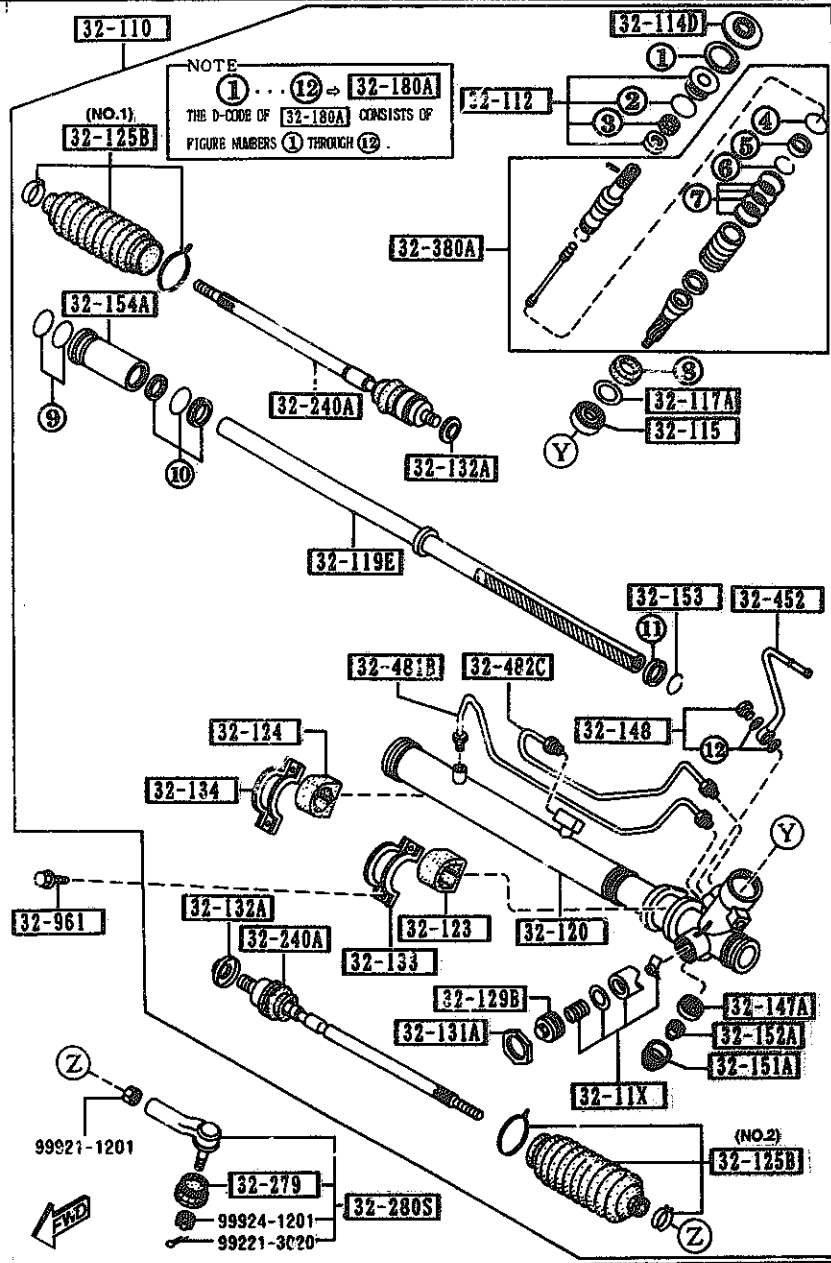
PART NO.	QTY	MODEL/RESTRICTION	MODEL/RESTRICTION	MODEL/RESTRICTION	FROM-TO
32-132A		WASHER			
NA02-32-126	2				
32-133		PLATE, CLAMP			
NA02-32-133	1				
32-134		PLATE, CLAMP			
NA02-32-134	1				
32-147A		BEARING, PINION			
NA02-32-147	1				
32-148		EYE BOLT KIT, ST. GEAR			
DO02-32-148	1				
32-151A		PLUG, PINION-ST. GEAR			
NA02-32-151	1				
32-152A		NUT, ADJUST			
NA02-32-152	1				
32-153		RING, BACK UP			
NA02-32-153	1				
32-154A		HOLDER, STEERING GEAR			
NA02-32-154	1				
32-180A		SEAL KIT, ST. GEAR			
NA02-32-180	1				
32-240A		JOINT, BALL			
NA02-32-240	2				
32-279		SEAL, DUST-BALL JOINT			
B455-32-279	2				
32-280S		JOINT SET, BALL			
8AN1-32-280	2	(EXC. BILSTEIN DAMP.)			
8AN2-32-280	2	(BILSTEIN DAMP.)			

AUNA03

CAT. AUNA03-04

1994-10

3220 A STEERING GEAR
(W/ POWER STEERING)



AUNA03

3220 A-3 * STEERING GEAR
(W/ POWER STEERING)

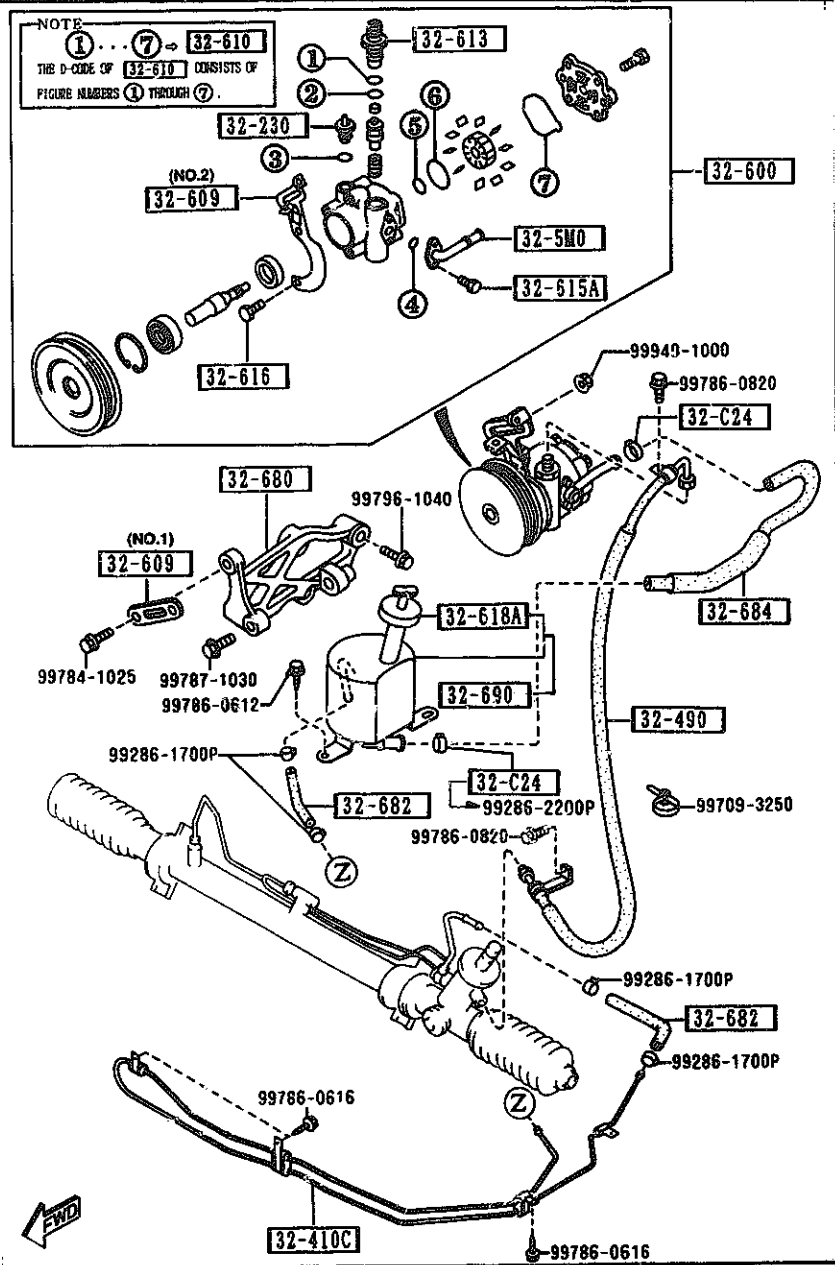
PART NO.	QTY	MODEL/RESTRICTION	MODEL/RESTRICTION	MODEL/RESTRICTION	FROM-TO
32-380A		VALVE, ST. GEAR			
NA02-32-380	1				
32-452		PIPE 'B', ST. GEAR			
NA02-32-452	1				
32-481B		PIPE 'A', CYLINDER			
NA02-32-481	1				
32-482C		PIPE 'B', CYLINDER			
NA02-32-482	1				
32-961		BOLT			
G030-32-961	4				

CAT. AUNA03-04

1994-10

3240 -1 POWER STEERING SYSTEM

3240 POWER STEERING SYSTEM



PART NO.	QTY	MODEL/RESTRICTION	MODEL/RESTRICTION	MODEL/RESTRICTION	FROM-TO
32-C24		CLAMP, HOSE-P.S.			
G238-32-C24	2				-3601
32-230		SENSOR, STEERING PRES SURE			
B456-32-230	1				
32-410C		PIPE, RETURN			
NA02-32-410A	1				
32-490		HOSE, PRESSURE			
NA02-32-490C	1				
32-5M0		PIPE, SUCTION			
N002-32-5M0	1				
32-600		PUMP, VANE			
N002-32-600B	1				
32-609		BRACKET, VANE PUMP			
NA02-32-609	1	KUROISHI TEKKO (ILLUST. NO.1)			
N002-32-609	1	NIHON POWER STEERING (ILLUST. NO.2)			
32-610		SEAL KIT, VANE PUMP			
N002-32-610	1				
32-613		NIPPLE, VANE PUMP			
N002-32-613	1				
32-615A		BOLT			
B456-32-615	2				
32-616		BOLT, VANE PUMP			
B456-32-616	2				
32-618A		CAP, VANE PUMP TANK			
NA02-32-691	1				
32-680		BRACKET, VANE PUMP			
NA02-32-680	1				
3601 NA351K-422220					

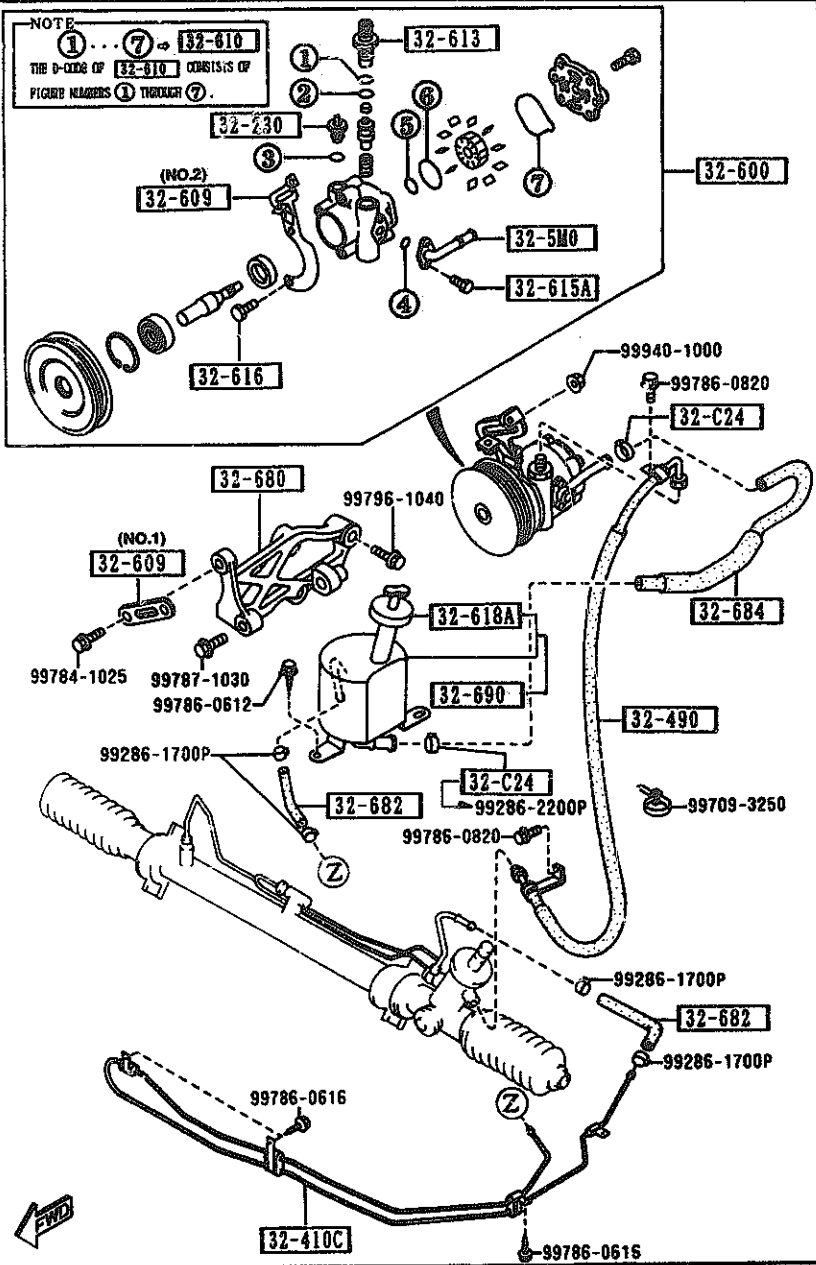
AUNA03

CAT. AUNA03-04

1994-10

3240 -2 * POWER STEERING SYSTEM

3240 POWER STEERING SYSTEM



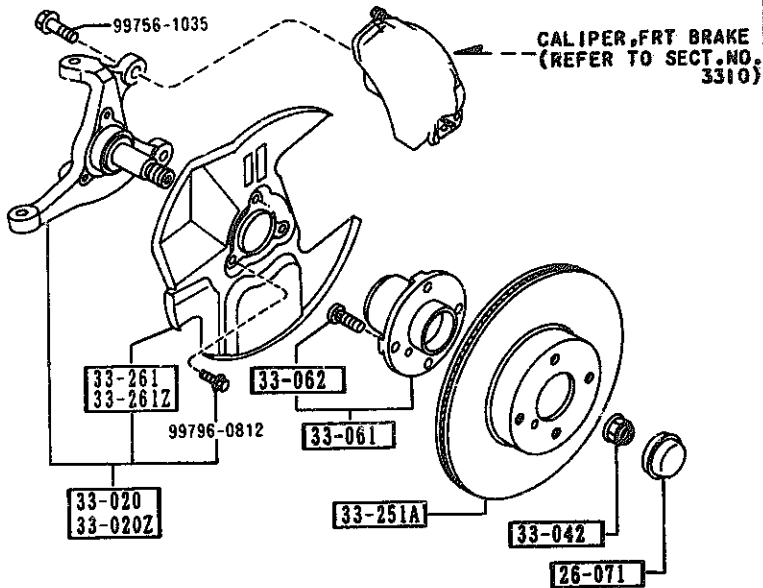
PART NO.	QTY	MODEL/RESTRICTION	MODEL/RESTRICTION	MODEL/RESTRICTION	FROM-TO
32-682		HOSE, RETURN			
NA02-32-682	2				
32-684		HOSE, RETURN			
NA02-32-684B	1				
32-690		TANK, VANE PUMP			
NA02-32-690A	1				

AUMA03

CAT. AUMA03-04

1994-10

3300 FRONT AXLE
(W/O ANTI LOCK BRAKE SYSTEM)



3300 -1 * FRONT AXLE
(W/O ANTI LOCK BRAKE SYSTEM)

PART NO.	QTY	MODEL/RESTRICTION	MODEL/RESTRICTION	MODEL/RESTRICTION	FROM-TO
26-071 B455-26-071	2	CAP, HUB			
33-020 NA01-33-020A	1	KNUCKLE (R), STEERING			
33-020Z NA01-33-030A	1	KNUCKLE (L), STEERING			
33-042 NA01-33-042B	2	NUT W/WASHER			
33-061 NA01-33-04X	2	HUB, WHEEL			
33-062 B455-33-062	8	BOLT, HUB			
33-251A NA01-33-25X A (NA01-33-25XA)	2	PLATE, DISC			-2A26
NA01-33-25XA	2				2A26-
33-261 NA01-33-261	1	COVER (R), DUST			
33-261Z NA01-33-271	1	COVER (L), DUST			

2A26 NA351R-401954



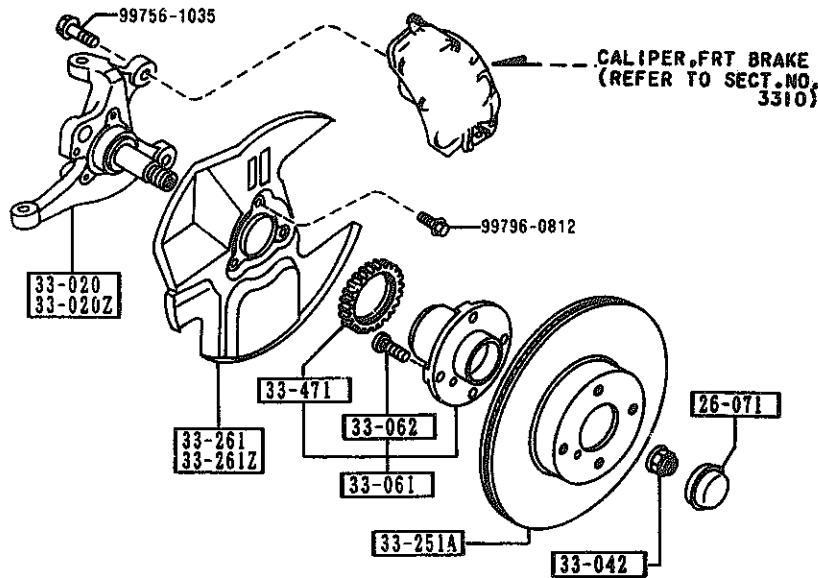
AUNA03

CAT. AUNA03-04

1994-10

3300 A FRONT AXLE
(ANTI LOCK BRAKE SYSTEM)

3300 A-1 # FRONT AXLE
(ANTI LOCK BRAKE SYSTEM)



PART NO.	QTY	MODEL/RESTRICTION	MODEL/RESTRICTION	MODEL/RESTRICTION	FROM-TO
26-071		CAP, HUB			
B455-26-071	2				
33-020		KNUCKLE(R), STEERING			
NA23-33-021A	1				
33-020Z		KNUCKLE(L), STEERING			
NA23-33-031A	1				
33-042		NUT			
NA01-33-042B	2	W/WASHER			
33-061		HUB, WHEEL			
NA23-33-04XA	2				
33-062		BOLT, HUB			
B455-33-062	8				
33-251A		PLATE, DISC			
NA01-33-25X A (NA01-33-25XA)	2				-2A26
NA01-33-25XA	2				2A26-
33-261		COVER(R), DUST			
NA23-33-261	1				
33-261Z		COVER(L), DUST			
NA23-33-271	1				
33-471		ROTOR, SENSOR-FRT A.B .S.			
NA23-33-471B	2				

2A26 NA351#-401954

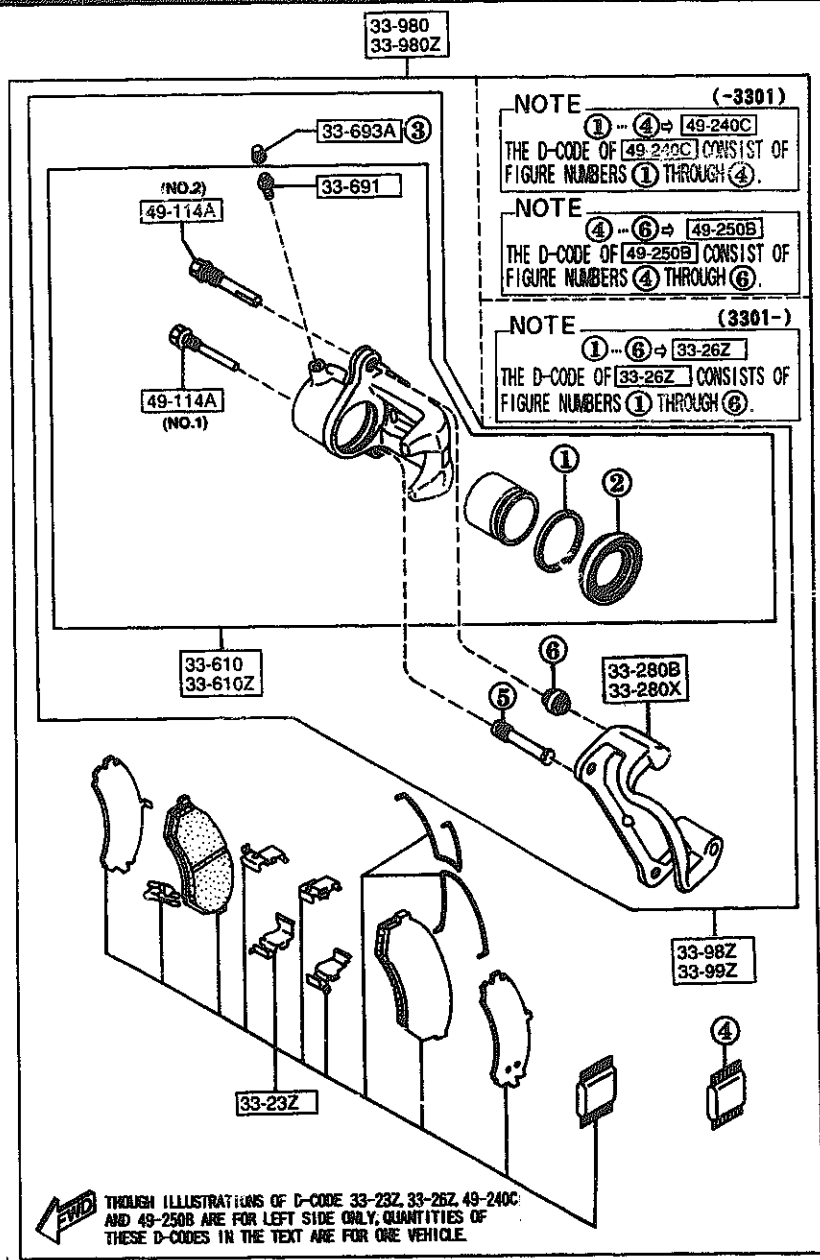
AUNA03

CAT. AUNA03-04

1994-10

3310 FRONT BRAKE MECHANISMS

3310 -1 FRONT BRAKE MECHANISMS



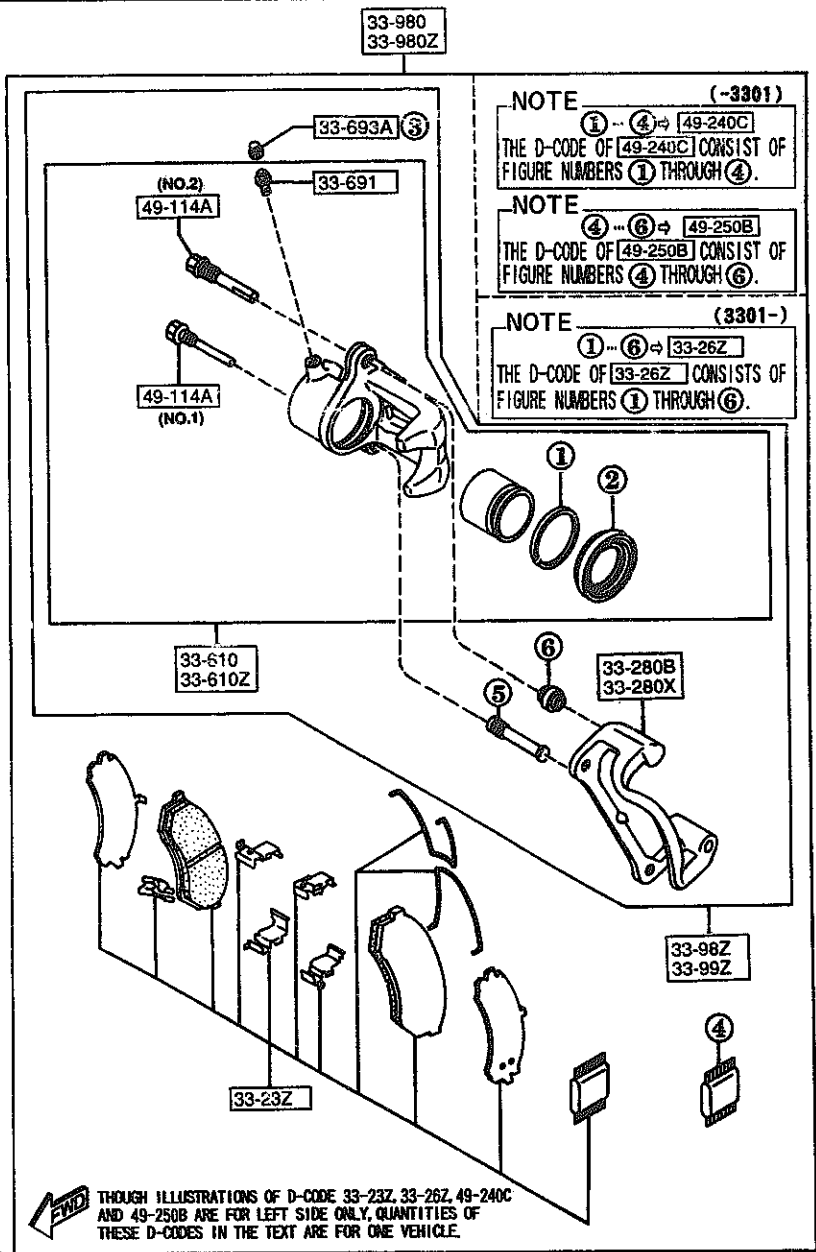
PART NO.	QTY	MODEL/RESTRICTION	MODEL/RESTRICTION	MODEL/RESTRICTION	FROM-TO
33-23Z		PAD SET, FRT CALIPER			
NOY1-33-23Z	1				
33-26Z		SEAL & BOOT SET, CAL.-FRT			
NAY1-33-26Z	1				3301-
33-280B		SUPPORT(R), MOUNTING			
NA01-33-281	1				
33-280X		SUPPORT(L), MOUNTING			
NA01-33-291	1				
33-610		BODY & PISTON(R), CALIPER			
NA01-33-61X	1				
33-610Z		BODY & PISTON(L), CALIPER			
NA01-33-71X	1				
33-691		SCREW, BLEEDER			
B001-33-691	2				
33-693A		CAP, BLEEDER SCREW			
0259-33-693	2				
33-98Z		CALIPER(R), PADLESS-FR			
NA10-33-98Z	1				
33-980		CALIPER(R), FRT BRAKE			
N001-33-980	1				
33-980Z		CALIPER(L), FRT BRAKE			
N001-33-990	1				
33-99Z		CALIPER(L), PADLESS-FR			
NA10-33-99Z	1				
49-114A		PIN, SLIDER			
8173-49-114	2	(ILLUST. NO.1)			
8239-49-114	2	(ILLUST. NO.2)			
3301 NA351R-416214					

AUNA03

CAT. AUNA03-04

1994-10

3310 FRONT BRAKE MECHANISMS



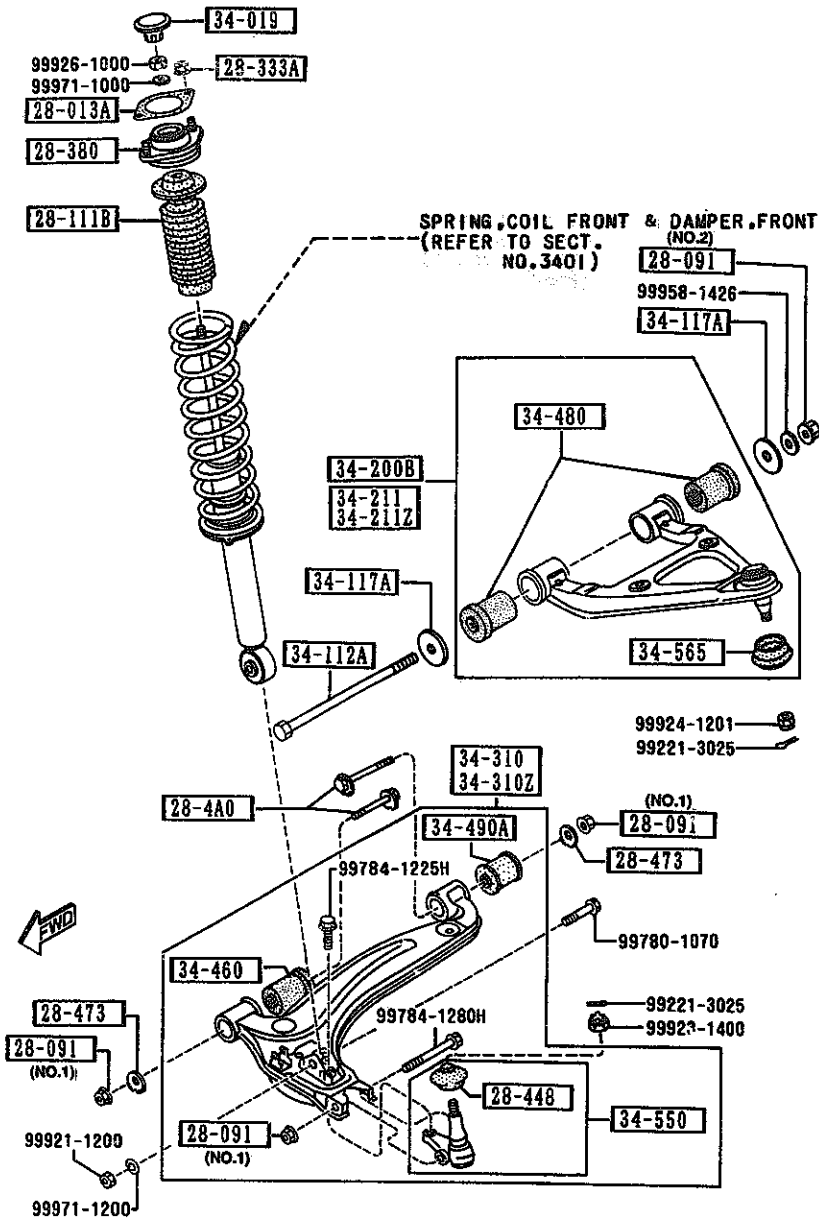
THOUGH ILLUSTRATIONS OF D-CODE 33-23Z, 33-26Z, 49-240C AND 49-250B ARE FOR LEFT SIDE ONLY, QUANTITIES OF THESE D-CODES IN THE TEXT ARE FOR ONE VEHICLE.

3310 -2 * FRONT BRAKE MECHANISMS

PART NO.	QTY	MODEL/RESTRICTION	MODEL/RESTRICTION	MODEL/RESTRICTION	FROM-TO
49-240C		SEAL KIT,CALIPER-FRT			
NAY1-33-24Z	1				-3301
49-250B		BOOT KIT,FRT CALIPER			
NAY1-33-25Z	1				-3301

3301 NA351*-416214

3400 FRONT SUSPENSION MECHANISMS



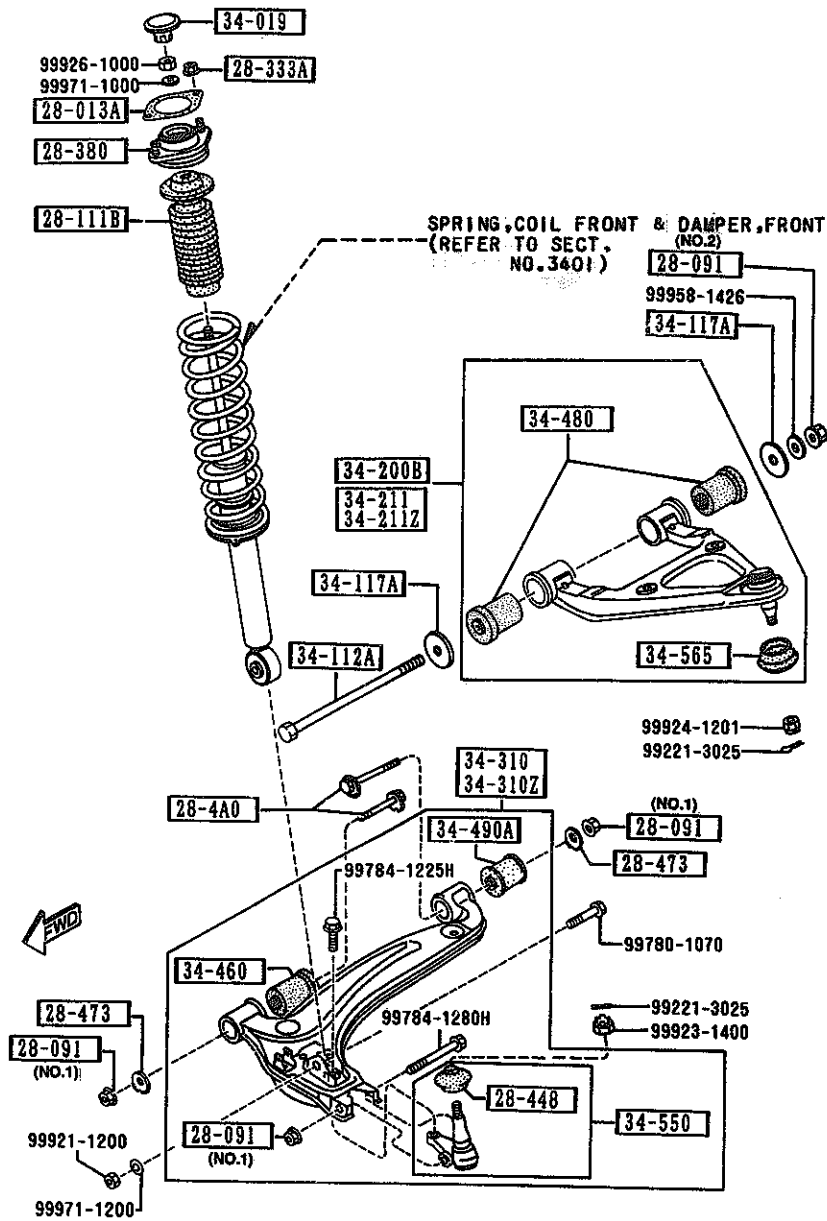
PART NO.	QTY	MODEL/RESTRICTION	MODEL/RESTRICTION	MODEL/RESTRICTION	FROM-TO
28-013A		SHEET, RUBBER			
G030-28-013A	2				
28-091		NUT			
B037-28-091	6	(ILLUST. NO.1)			
FB01-28-091A	2	(ILLUST. NO.2)			
28-111B		STOPPER, BUMP			
NA01-28-111	2	(W/O A.LOCK BRAKE) (A.LOCK BRAKE)>(EXC .BILSTEIN DAMP.)			
N021-34-111	2	(A.LOCK BRAKE)>(BIL STEIN DAMP.)			
28-333A		NUT, FLANGE			
H001-28-333	4				
28-380		RUBBER, MOUNTING			
NA01-28-380B	2				
28-4A0		BOLT, ADJUST			
NA01-28-4A0	4				
28-448		SEAL, DUST-BALL JOINT			
H266-28-448	2				
28-473		PLATE, CAM-SUB FRAME			
NAD1-28-473	4				
34-019		CAP, DAMPER			
NA01-34-019	2				
34-112A		BOLT			
NA01-34-112	2				
34-117A		WASHER			
NA01-34-117A	4				
34-200B		ARM, UPPER-FRT			
NA01-34-200A	2	(W/O A.LOCK BRAKE)			

AUNA03

CAT. AUNA03-04

1994-10

3400 FRONT SUSPENSION MECHANISMS



PART NO.	QTY	MODEL/RESTRICTION	MODEL/RESTRICTION	MODEL/RESTRICTION	FROM-TO
34-211		ARM(R), UPPER			
NA23-34-200	1	(A. LOCK BRAKE)			
34-211Z		ARM(L), UPPER			
NA23-34-250	1	(A. LOCK BRAKE)			
34-310		ARM(R), LOWER			
NA01-34-300A AN(NA75-34-300)	1				-3301
NA75-34-300	1				3301-
34-310Z		ARM(L), LOWER			
NA01-34-350A AN(NA75-34-350)	1				-3301
NA75-34-350	1				3301-
34-460		BUSH, RUBBER-LWR ARM			
NA01-34-460A	2				
34-480		BUSHING, RUBBER-LOWER ARM			
NA01-34-480A	4				
34-490A		BUSHING, RUBBER			
NA01-34-490	2				
34-550		BALL JOINT, LOWER			
NA01-34-550	2				
34-565		SEAL, DUST			
NA01-34-568	2				
3301 NA351*-416214					

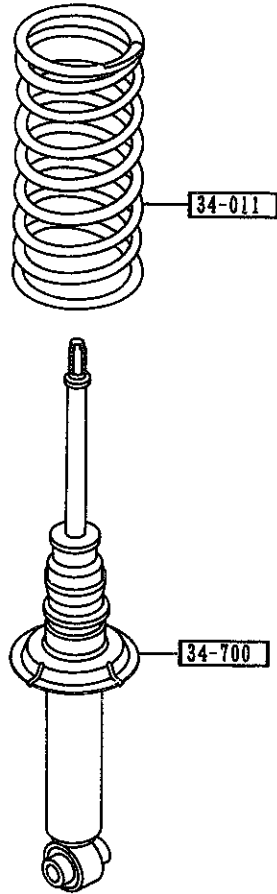
AUNA03

CAT. AUNA03-04

1994-10

3401 -1 * FRONT SPRING & DAMPER

3401 FRONT SPRING & DAMPER



PART NO.	QTY	MODEL/RESTRICTION	MODEL/RESTRICTION	MODEL/RESTRICTION	FROM-TO
34-011		SPRING, COIL-FRONT			
NA01-34-011A	2	(MT)			
NA03-34-011	2	(AT)			
34-700		DAMPER, FRONT			
NO23-34-700A	2	((A.LOCK BRAKE))>(BILSTEIN DAMP.))			
NA53-34-700 A (NA53-34-700A)	2	((A.LOCK BRAKE))>(EXC .BILSTEIN DAMP.))			-3701
NO18-34-700 A (NO18-34-700A)	2	(W/O A.LOCK BRAKE)			-3701
*NA53-34-700A	2	((A.LOCK BRAKE))>(EXC .BILSTEIN DAMP.))			3701-
*NO18-34-700A	2	(W/O A.LOCK BRAKE)			3701-
3701 NA351*-423706					



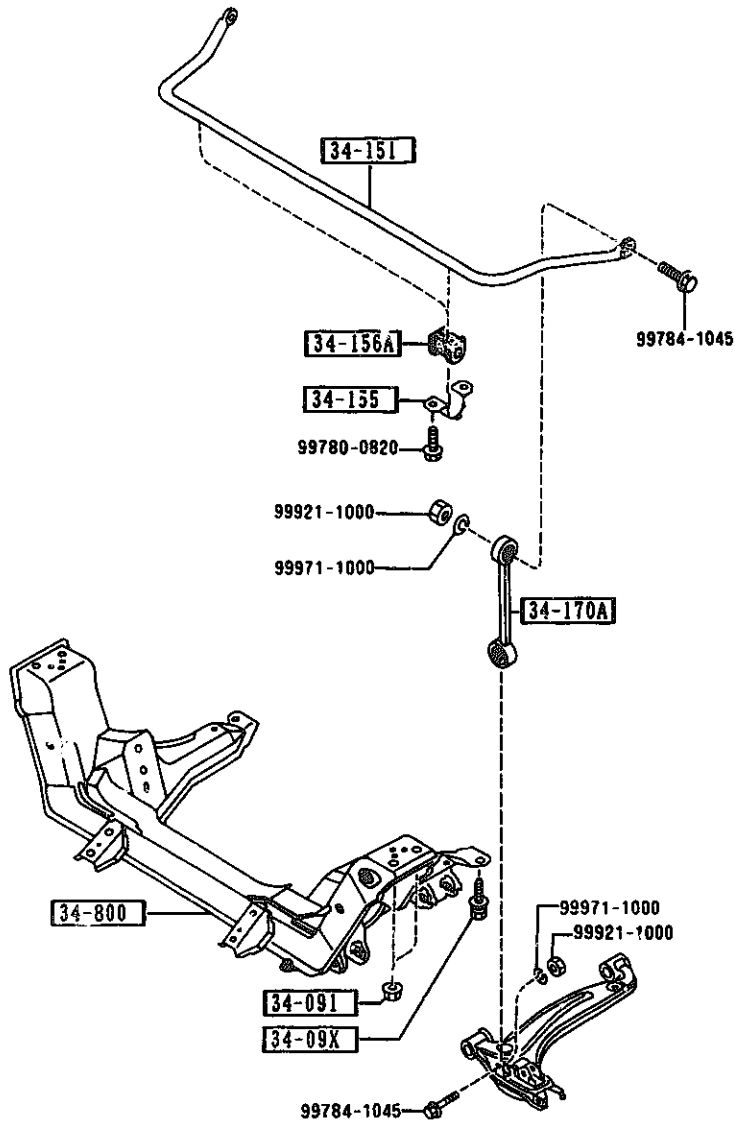
AUNA03

CAT. AUNA03-04

1994-10

3410 -1 * CROSSMEMBER & STABILIZER

3410 CROSSMEMBER & STABILIZER



PART NO.	QTY	MODEL/RESTRICTION	MODEL/RESTRICTION	MODEL/RESTRICTION	FROM-TO
34-09X		BOLT			
NA01-34-09XA	4				
34-091		NUT			
FB01-34-091	4				
34-151		STABILIZER, FRONT			
NA01-34-151A	1				
34-155		PLATE, STABILIZER			
FB01-34-155	2				
34-156A		RUBBER, STAB -FRT			
NA01-34-156A	2				
34-170A		LINK, CONTROL-STAB			
NA01-34-170	2				
34-800		MEMBER, CROSS			
NA01-34-800B	1				



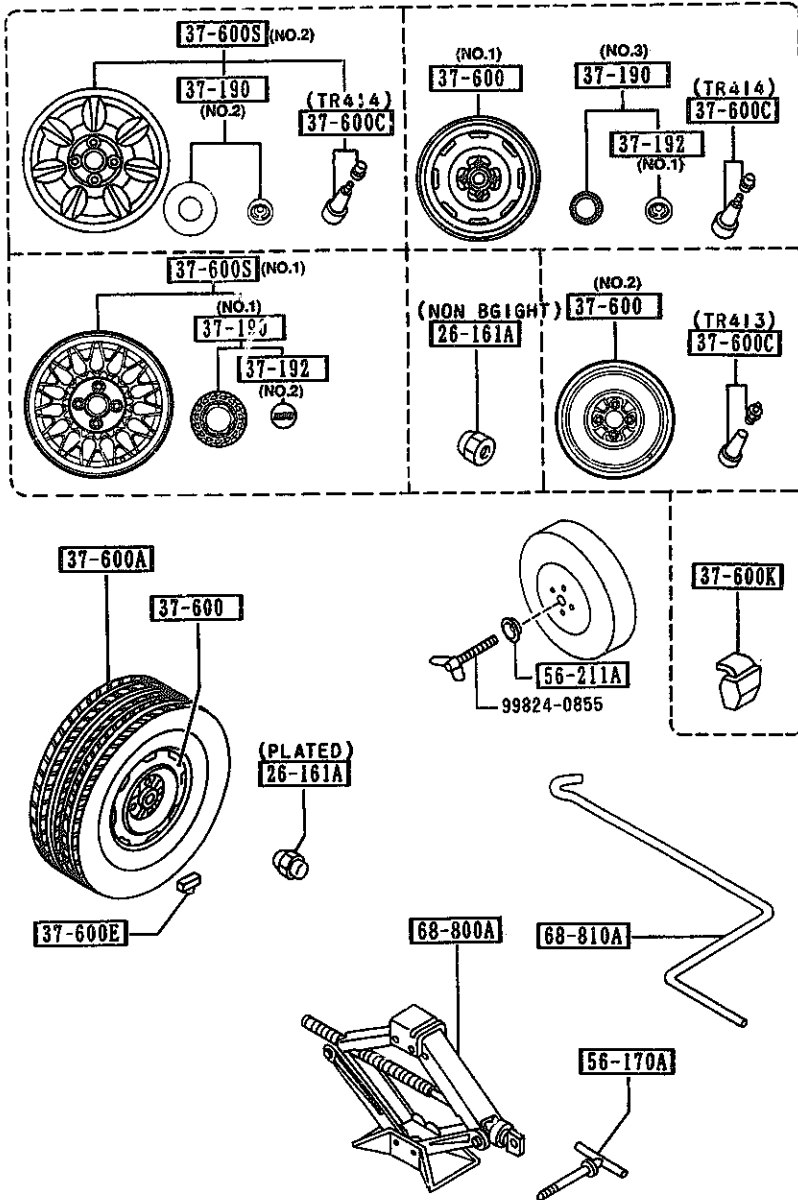
AUNA03

CAT. AUNA03-04

1994-10

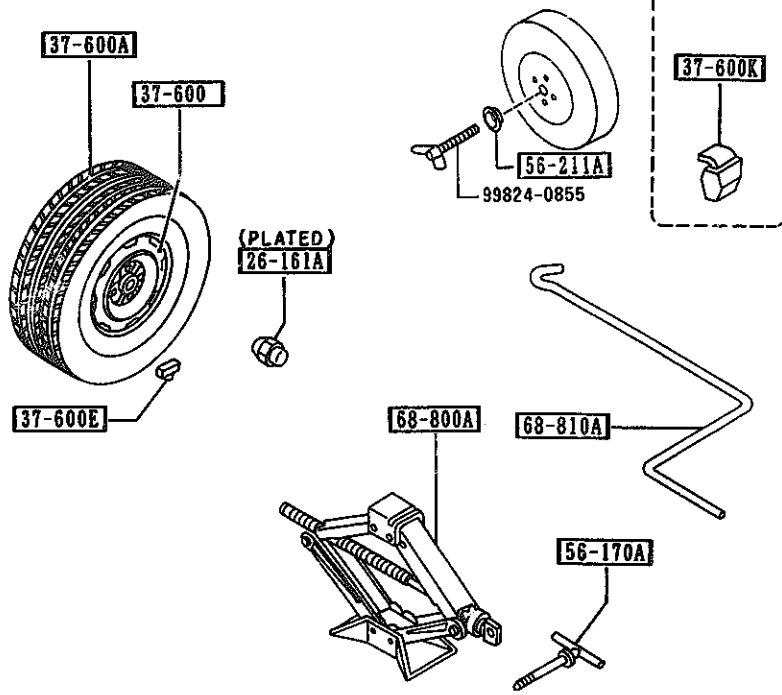
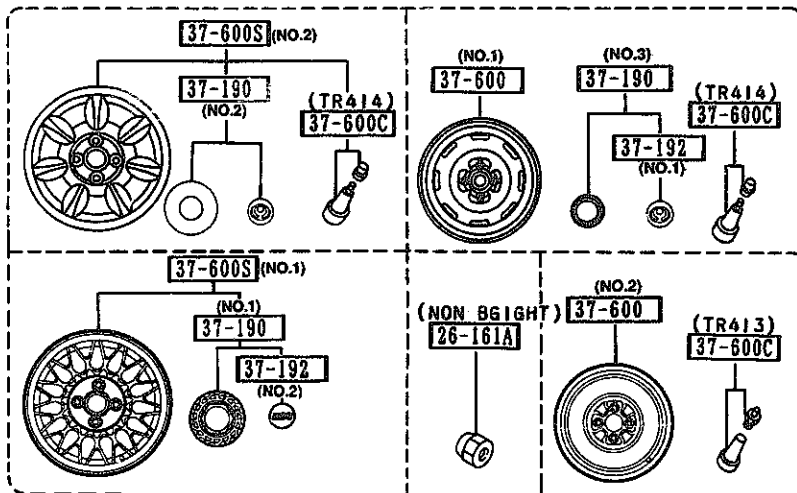
1-N13"

3700 TIRES & JACK



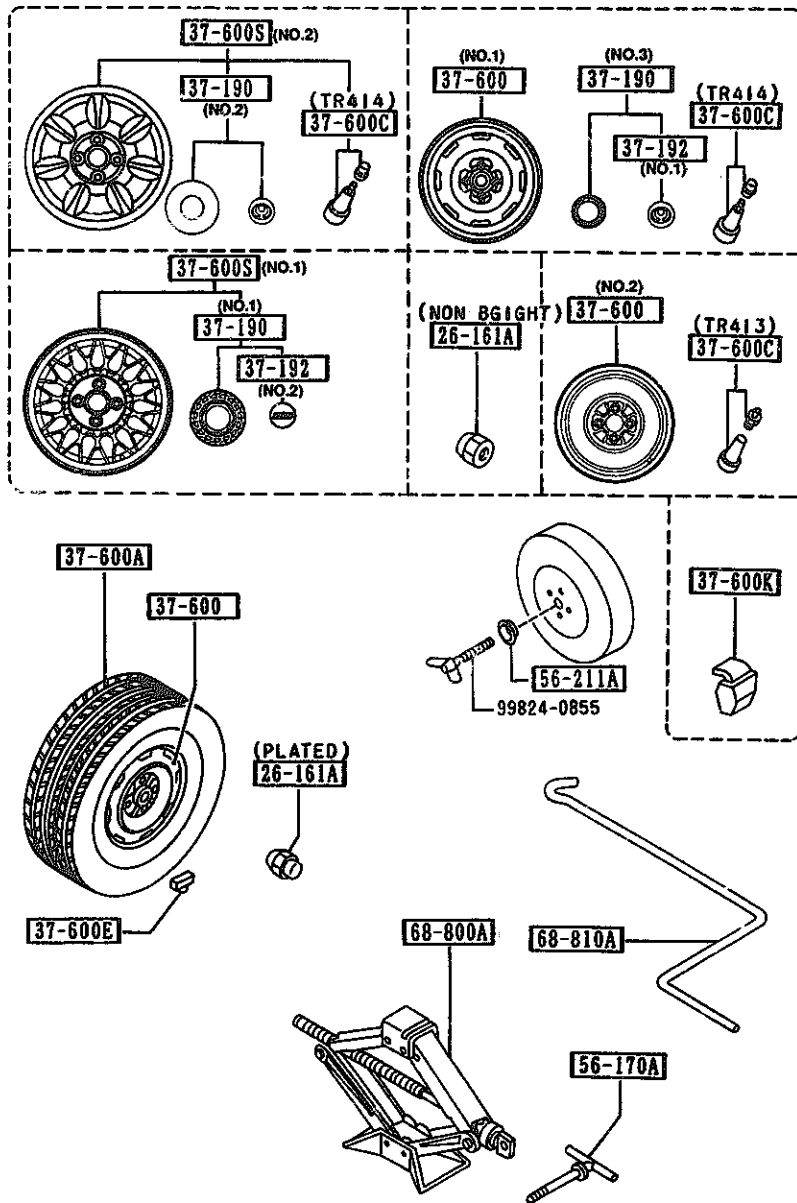
PART NO.	QTY	MODEL/RESTRICTION	MODEL/RESTRICTION	MODEL/RESTRICTION	FROM-TO
26-161A		NUT, HUB			
0603-26-161	16	NON BRIGHT			
B002-37-160	16	PLATED			
37-190		CAP, CENTER			
M011-37-190	4	(ILLUST. NO.1)			
NA52-37-190	4	(ILLUST. NO.2)			
NA53-37-190	4	(ILLUST. NO.3)			
37-192		EMBLEM, CAP-WHEEL			
GA7C-37-192	4	(ILLUST. NO.1)			
M011-37-192	4	(ILLUST. NO.2)			
37-600		WHEEL, DISC-STEEL			
9965B-95540	4	5.5JX14 P=100/O=45 (ILLUST. NO.1)			
99651-84040	1	4TX14 P=100/O=45 (ILLUST. NO.2)			
37-600A		TIRE			
90620-47614	1	T155/70D14			
90623-06684	4	P185/60R14 DUNLOP			
90624-26684	4	P185/60R14 BS			
90625-56684	4	P185/60R14 YOKOHAMA			
37-600C		VALVE, AIR			
99636-04130	1	TR413			
99636-04140	4	TR414			
37-600E		WEIGHT, DISC WHEEL-STEEL			
99655-30005	4	5G			
99655-30010	4	10G			
99655-30015	4	15G			

3700 TIRES & JACK

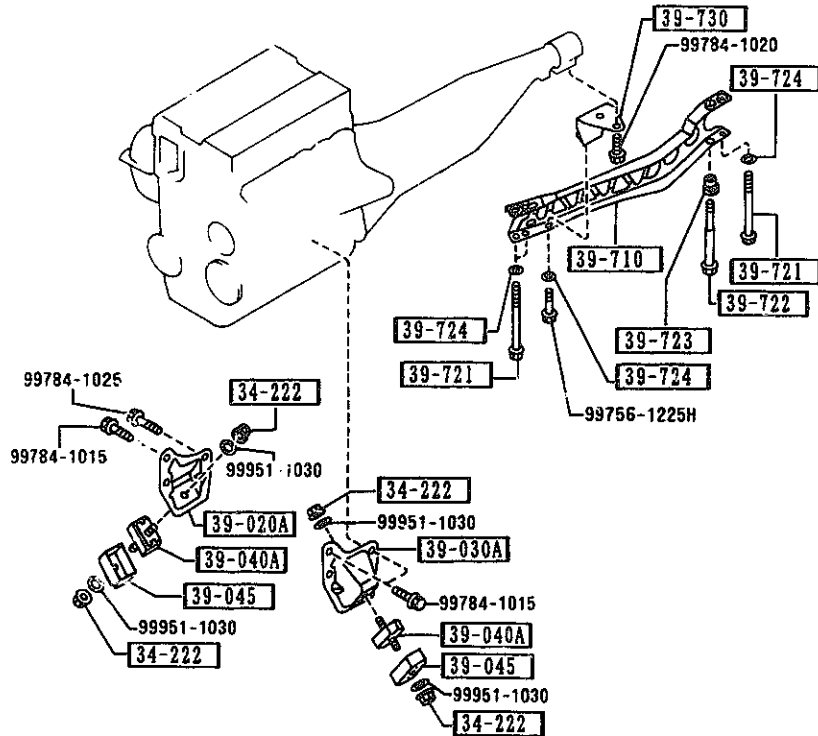


PART NO.	QTY	MODEL/RESTRICTION	MODEL/RESTRICTION	MODEL/RESTRICTION	FROM-TO
CONT'D					
99655-30020	4	20G			
99655-30025	4	25G			
99655-30030	4	30G			
99655-30035	4	35G			
99655-30040	4	40G			
99655-30045	4	45G			
99655-30050	4	50G			
99655-30055	4	55G			
99655-30060	4	60G			
37-600K		WEIGHT, DISC WHEEL-ALUMI			
99655-90005	4	5G FOR 1-PIECE WHL			
99655-90010	4	10G FOR 1-PIECE WHL			
99655-90015	4	15G FOR 1-PIECE WHL			
99655-90020	4	20G FOR 1-PIECE WHL			
99655-90025	4	25G FOR 1-PIECE WHL			
99655-90030	4	30G FOR 1-PIECE WHL			
99655-90035	4	35G FOR 1-PIECE WHL			
99655-90040	4	40G FOR 1-PIECE WHL			
99655-90045	4	45G FOR 1-PIECE WHL			
99655-90050	4	50G FOR 1-PIECE WHL			
99655-90055	4	55G FOR 1-PIECE WHL			
99655-90060	4	60G FOR 1-PIECE WHL			

3700 TIRES & JACK

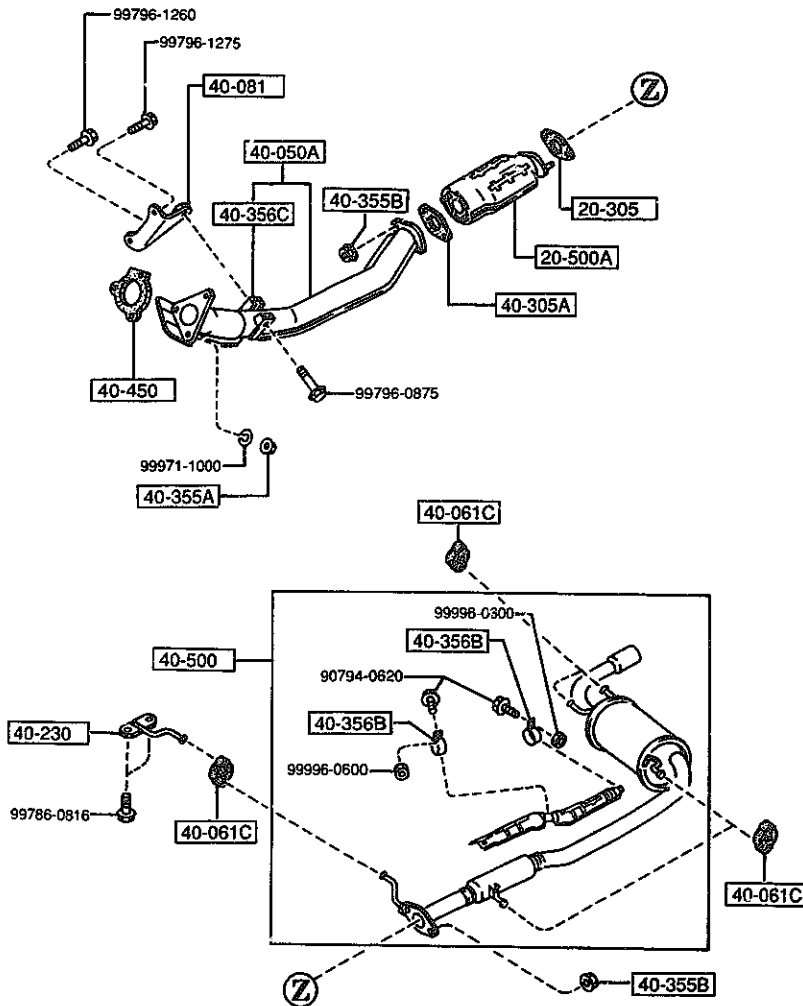


PART NO.	QTY	MODEL/RESTRICTION	MODEL/RESTRICTION	MODEL/RESTRICTION	FROM-TO
37-600S		WHEEL SET, DISC-ALUMI			
8BN4-37-600	4	6JXX14 BBS (ILLUST. NO.1)			
8BN5-37-600	4	5JXX14 (ILLUST. NO.2)			
56-170A		BOLT, JACK SET			
B001-56-170C	1				
56-211A		PLATE, CLAMP-JACK			
1219-56-211	1				
68-800A		JACK			
B455-37-790A	1				
68-810A		HANDLE, JACK			
GJ21-37-810	1				



PART NO.	QTY	MODEL/RESTRICTION	MODEL/RESTRICTION	MODEL/RESTRICTION	FROM-TO
34-222		NUT			
8871-34-222	4				
39-020A		BRACKET(R), ENGINE			
NA01-39-020	1				
39-030A		BRACKET(L), ENGINE			
NA01-39-030	1				
39-040A		RUBBER, ENGINE MT.			
NA01-39-040	2				
39-045		CASING, STOPPER			
NA01-39-041	2 (MT)				
S231-39-041	2 (AT)				
39-710		FRAME, POWER PLANT			
NA01-39-710	1				-2B18
A (NA01-39-710A)					
NA03-39-710	1				-3122
A (NA03-39-710A)					
NA01-39-710A	1 (MT)				2B18-
NA03-39-710A	1 (AT)				3122-
39-721		BOLT, PLANT FRAME			
NA01-39-721	3				
39-722		BOLT, PLANT FRAME			
NA01-39-722	1				
39-723		SPACER, PLANT FRAME			
NA01-39-723	1				
39-724		WASHER, PLAIN-FRAME			
NA01-39-724	3 (AT)				
NA01-39-724	4 (MT)				
39-730		BRACKET, PLANT FRAME			
NA01-39-730A	1 (MT)				

2B18 NA351*-405829
3122 NA351*-411920



PART NO.	QTY	MODEL/RESTRICTION	MODEL/RESTRICTION	MODEL/RESTRICTION	FROM-TO
20-305 B690-40-305	1	GASKET, EXH. PIPE-CONVERTER NON ASBESTOS			
20-500A B6AK-20-600A B61P-20-600	1	CATALYST, THREE WAY (CALIF)			
40-050A B690-40-500A A (B690-40-500B)	1	PIPE, EXHAUST-FRONT			-3301
40-061C RF03-40-061	5	HANGER, SILENCER			3301-
40-081 B690-40-080A	1	BRACKET, HANGER			
40-230 B690-40-690	1	BRACKET, HANGER			
40-305A B322-40-305	1	GASKET NON ASBESTOS			
40-355A 2158-40-355	3	NUT			
40-355B JE10-40-355	4	NUT			
40-356B B6A5-40-356	2	BAND			
40-356C B690-40-356	1	BAND			
40-450 B690-40-450	1	GASKET, CONVERTER NON ASBESTOS			
3301 NA351*-416214					



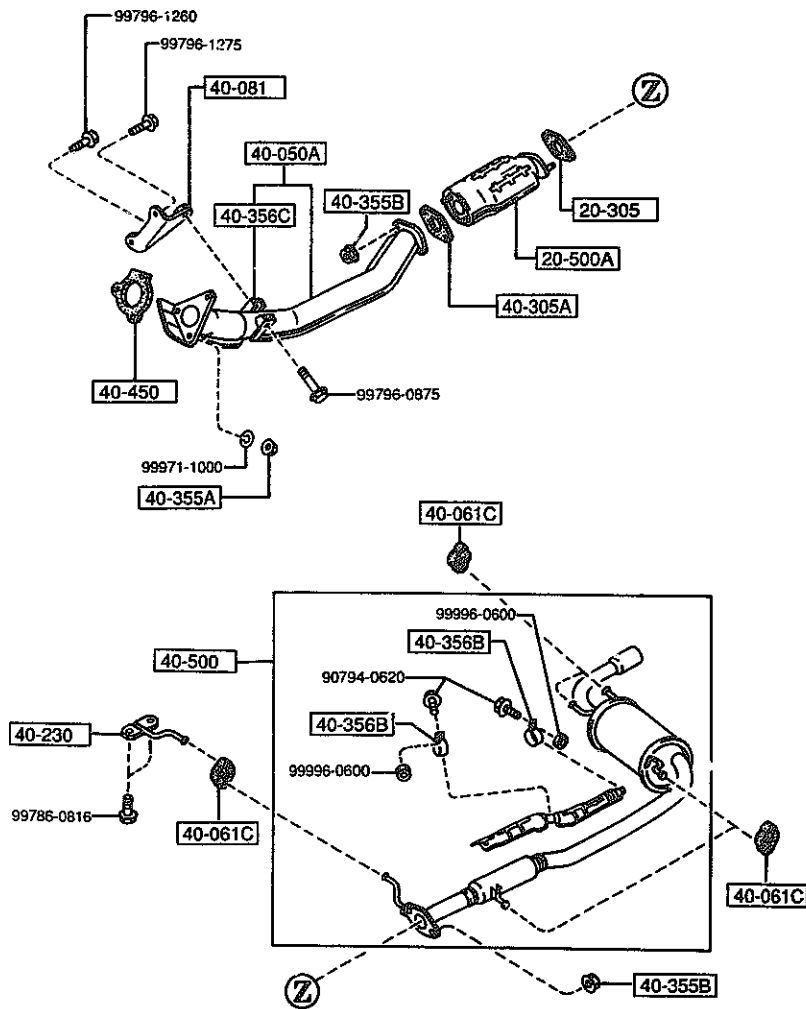
AUNA03

CAT. AUNA03-04

1994-10

4000 EXHAUST SYSTEM

4000 -2 * EXHAUST SYSTEM



PART NO.	QTY	MODEL/RESTRICTION	MODEL/RESTRICTION	MODEL/RESTRICTION	FROM-TO
40-500		SILENCER, MAIN			
B6B4-40-100E	1	(AT)			
B690-40-100J	1	(MT)			

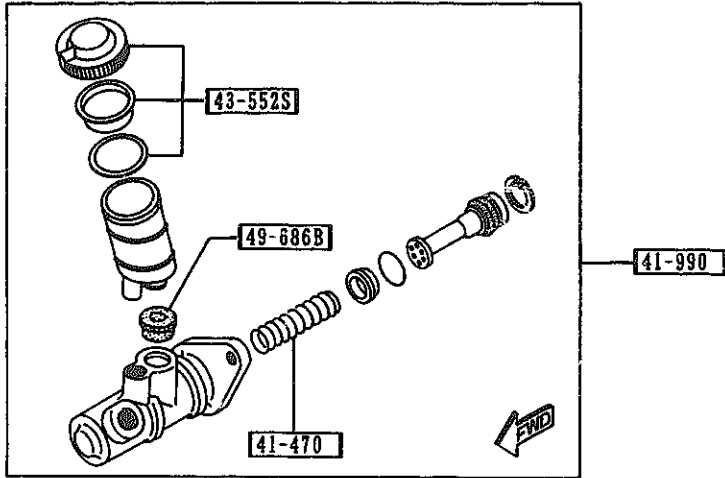


AUNA03

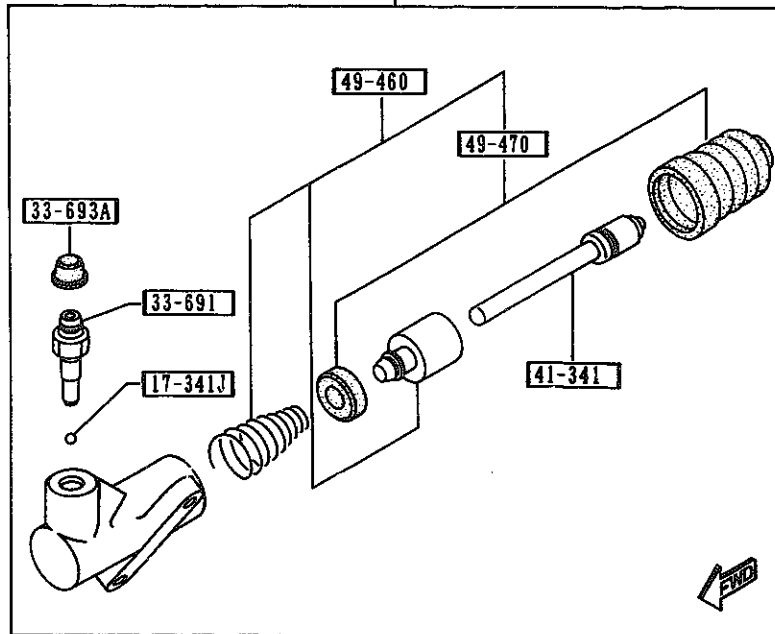
CAT. AUNA03-04

1994-10

4140 CLUTCH RELEASE & MASTER CYLINDERS (MANUAL TRANSMISSION)



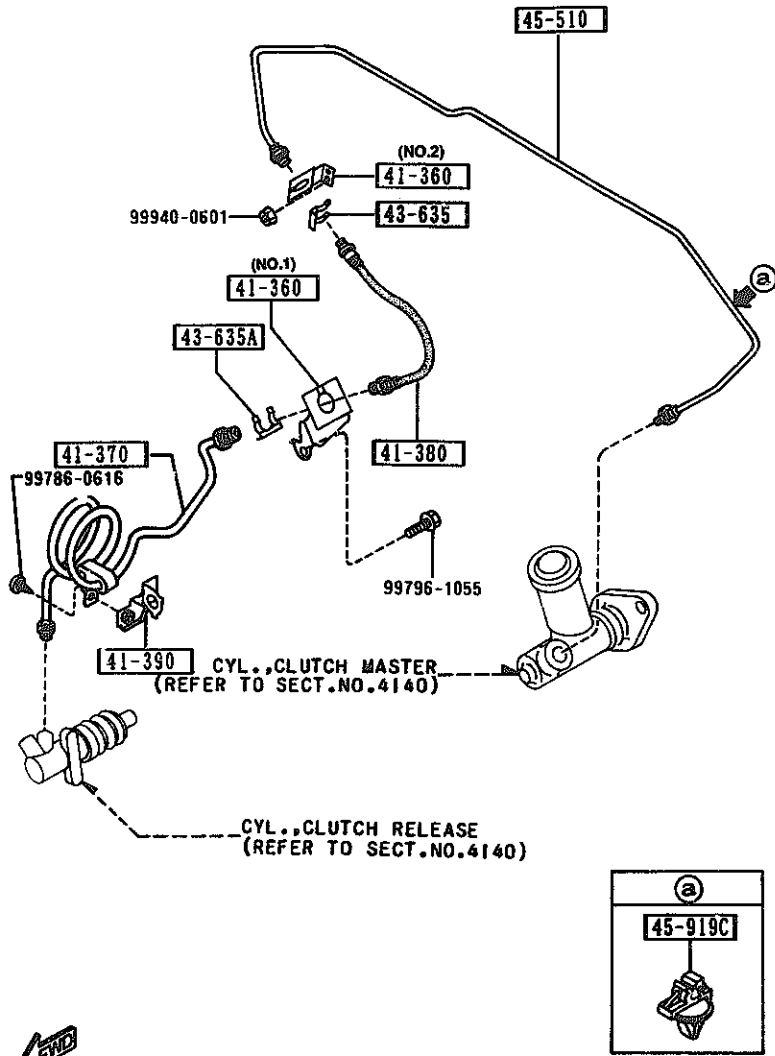
41-920



PART NO.	QTY	MODEL/RESTRICTION	MODEL/RESTRICTION	MODEL/RESTRICTION	FROM-TO
17-341J		BALL, STEEL			
99611-1500	1				
33-691		SCREW, BLEEDER			
0279-33-691	1				
33-693A		CAP, BLEEDER SCREW			
0259-33-693	1				
41-341		ROD, PUSH			
H266-41-341	1				
41-470		SPRING			
B312-41-470	1				
41-920		CYL., CLUTCH RELEASE			
NA01-41-920	1				
41-990		CYL., CLUTCH MASTER			
NA01-41-400A	1				
43-552S		CAP SET, RESERVE TANK			
B093-49-580	1				
49-460		PARTS KIT, INNER			
H005-49-460	1				
49-470		SEAL KIT			
H005-49-470	1				
49-686B		BUSH, ELBOW JOINT			
0305-49-686B	1				

4145 -1 * CLUTCH PIPINGS (MANUAL TRANSMISSION)

4145 CLUTCH PIPINGS (MANUAL TRANSMISSION)



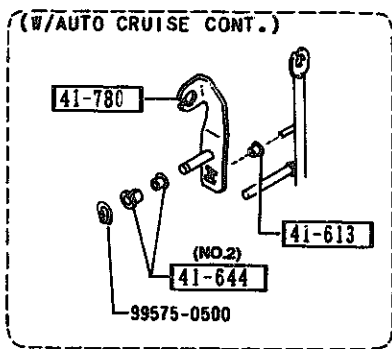
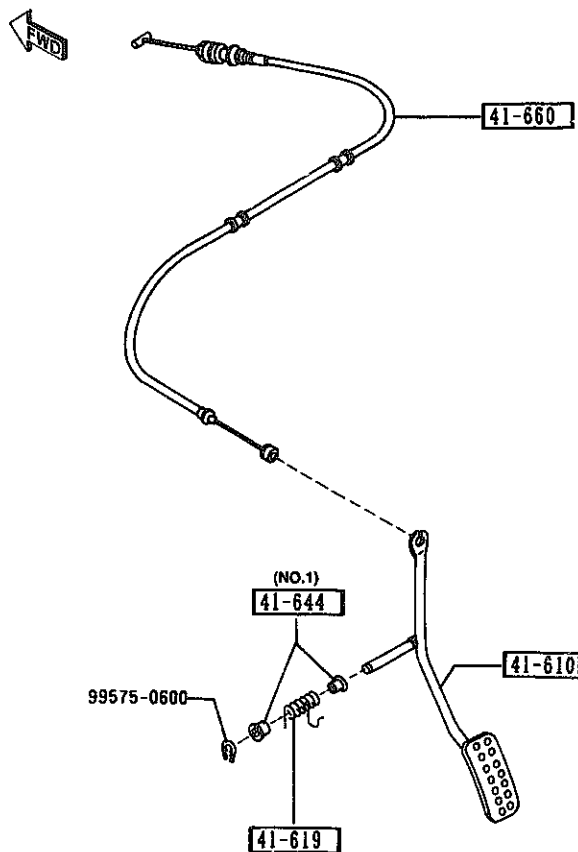
PART NO.	QTY	MODEL/RESTRICTION	MODEL/RESTRICTION	MODEL/RESTRICTION	FROM-TO
41-360		HOLDER, CLUTCH			
NA01-41-370A	1	SUMINO KOGYO (ILLUST. NO.1)			
NA02-41-370	1	MIDORI (ILLUST. NO.2)			
41-370		PIPE, CLUTCH			
NA01-41-360A	1				
41-380		HOSE, FLEXIBLE			
GK67-41-380A	1				
41-390		HOLDER, PIPE			
NA01-41-390	1				
43-635		CLIP, FLEXIBLE HOSE			
W023-43-635	1				
43-635A		CLIP, FLEXIBLE HOSE			
0136-43-635	1				
45-510		PIPE, CLUTCH			
NA01-45-510C	1	(W/O A. LOCK BRAKE)			
NA20-45-510D	1	(A. LOCK BRAKE)			
45-919C		CLIP, PIPE			
G030-45-919	1				

AUNA03

CAT. AUNA03-04

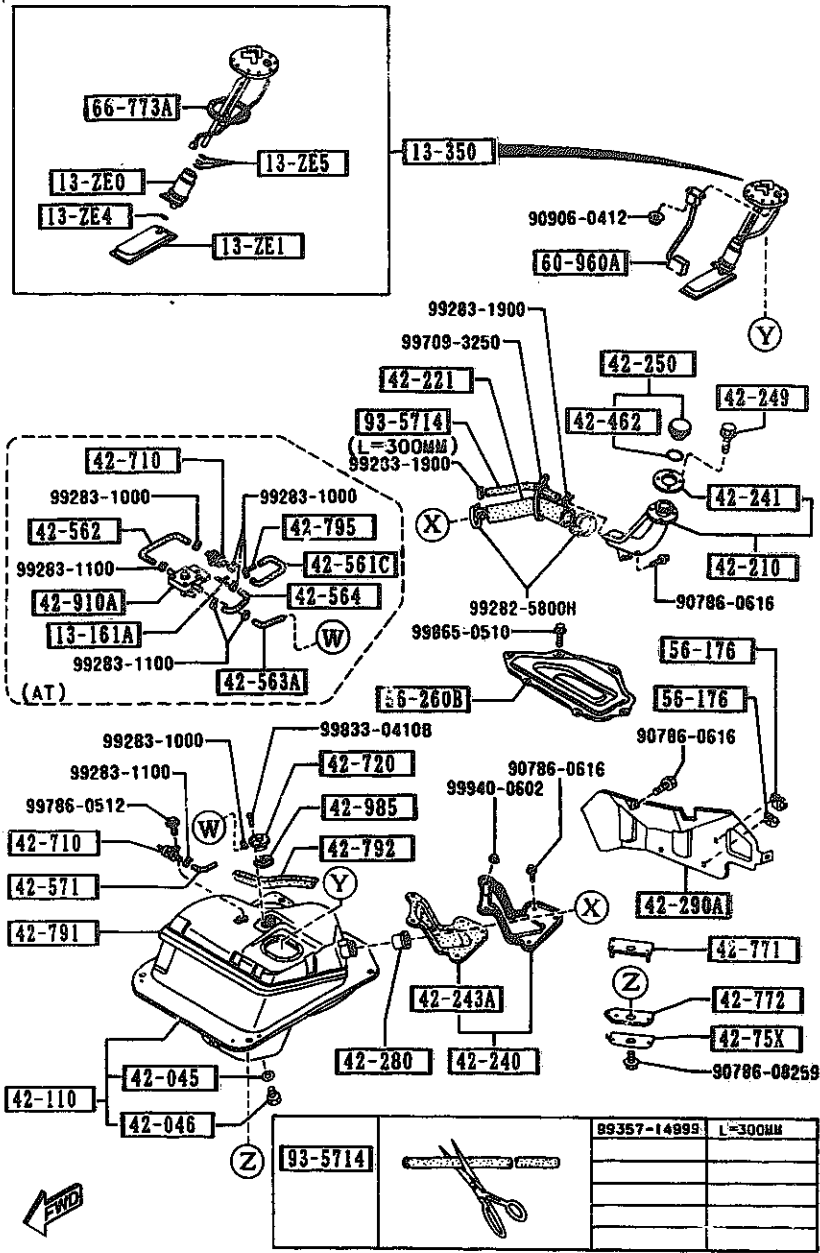
1994-10

4160 ACCELERATOR CONTROL SYSTEM



PART NO.	QTY	MODEL/RESTRICTION	MODEL/RESTRICTION	MODEL/RESTRICTION	FROM-TC
41-610B		PEDAL & ARM			
NA01-41-610A	1	BASE, (W/O AUTO CRUISE CONT.)			
NA02-41-610A	1	PKG-B, RICO-20TH-ANV (W/AUTO CRUISE CONT.)			
41-613		ROLLER			
B104-41-114	1	PKG-B, RICO-20TH-ANV (W/AUTO CRUISE CONT.)			
41-619		SPRING, RETURN			
NA01-41-619	1				
41-644		BUSH			
B092-41-644	2	OIRES KOGYO (ILLUST. NO.1)			
0259-41-644	2	ONDO KOSAKUSHO PKG-B, RICO-20TH-ANV (ILLUST. NO.2) (W/AUTO CRUISE CONT.)			
41-660		CABLE, ACCEL.			
NA01-41-660A	1				
41-780		LEVER, ACCELERATOR			
NA01-41-130A	1	PKG-B, RICO-20TH-ANV (W/AUTO CRUISE CONT.)			

4200 FUEL TANK



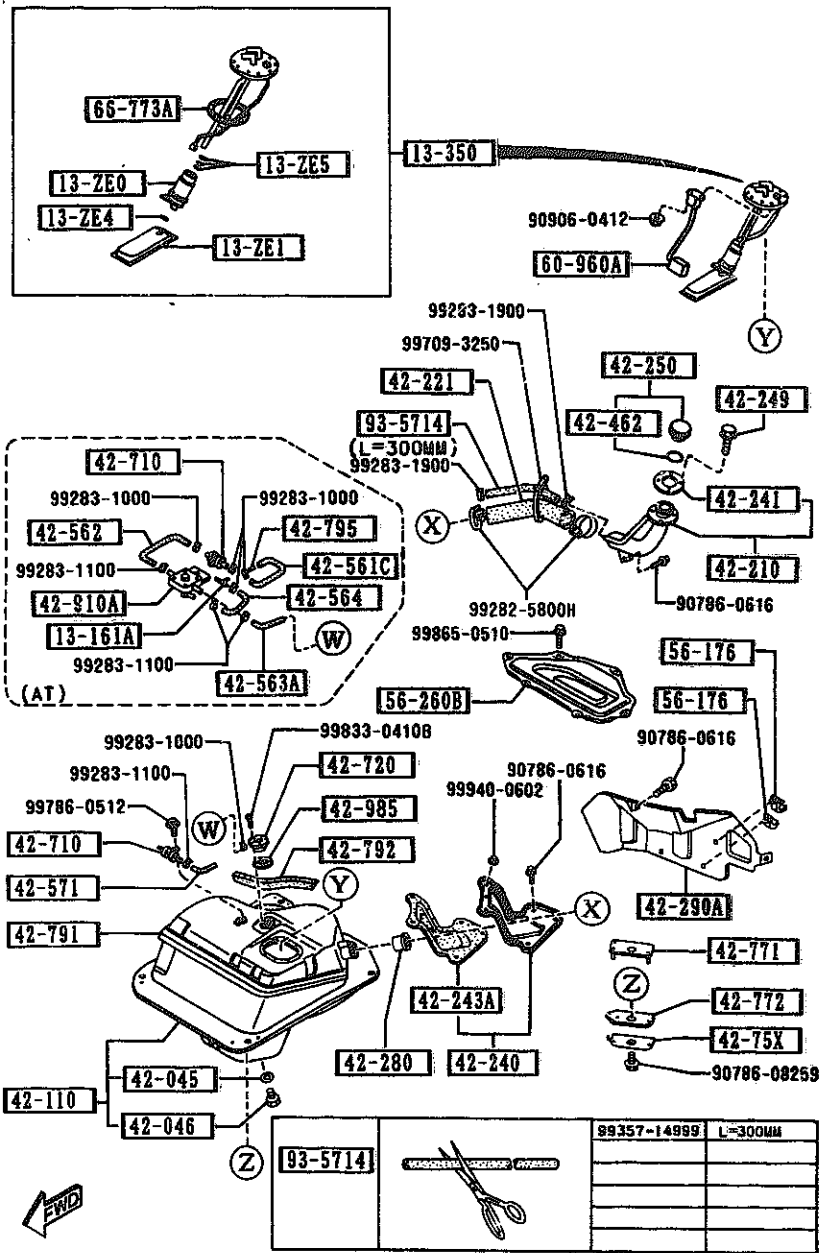
PART NO.	QTY	MODEL/RESTRICTION	MODEL/RESTRICTION	MODEL/RESTRICTION	FROM-TO
13-ZE0		PUMP, FUEL			
B61P-13-ZE0	1				
13-ZE1		FILTER, FUEL PUMP			
B61P-13-ZE1	1				
13-ZE4		WASHER, LOCK-PUMP FILTER NIPPONDENSO (JAPAN)			
FEH2-13-ZE4	1				
13-ZE5		RING, 'O'-FUEL PUMP			
B61P-13-ZE5	1				
13-161A		JOINT 'T'			
E580-13-161	1 (AT)				
13-350		PUMP, FUEL			
B61P-13-350B	1				
42-045		GASKET, DRAIN PLUG			
0866-42-046	1				
42-046		PLUG, DRAIN			
B596-42-045	1				
42-110		TANK, FUEL			
NA01-42-110A AN(NA01-42-110B)	1				-2A05
NA03-42-110 AN(NA03-42-110A)	1				-2A05
NA01-42-110B	1 (MT)				2A05-
NA03-42-110A	1 (AT)				2A05-
42-210		PIPE, FILLER			
NA01-42-210A	1				
42-221		HOSE, FILLER			
NA01-42-241B AN(NA01-42-241C)	1				-2901
NA01-42-241C	1				2901-
2901 NA351*-401968 2A05 NA351*-401954					

AUNA03

CAT. AUNA03-04

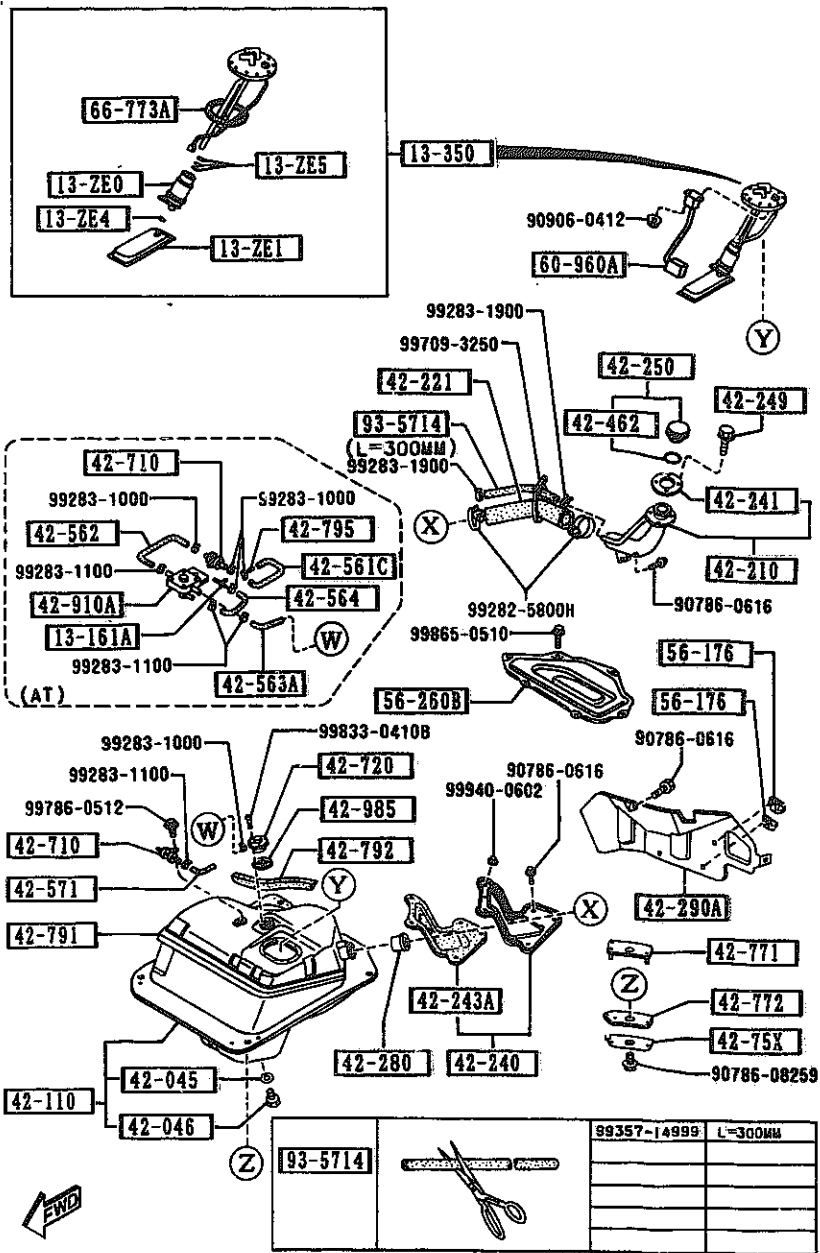
1994-10

4200 FUEL TANK



PART NO.	QTY	MODEL/RESTRICTION	MODEL/RESTRICTION	MODEL/RESTRICTION	FROM-TO
42-240		COVER, DUST			
NA01-42-230	1				
42-241		GASKET, FILLER PIPE			
0866-42-366B	1				
42-243A		GASKET 'A', DUST COVER			
NA01-42-233	1				
42-249		BOLT, FILLER PIPE			
NA01-42-249B	4				
42-250		CAP, FILLER			
NA02-62-250	1				
42-280		VALVE, NON RETURN			
H260-42-270	1				
42-290A		PROTECTOR 'A', FILLER PIPE			
NA01-42-291A A (NA01-42-291B)	1				-3401
NA01-42-291B	1				3401-
42-462		GASKET, CAP			
BF67-42-252	1				
42-561C		HOSE NO. 1, BREATHER			
NA03-42-561	1 (AT)				
42-562		HOSE NO. 2, BREATHER			
NA03-42-562	1 (AT)				
42-563A		HOSE NO. 3, BREATHER			
NA03-42-563	1 (AT)				
42-564		HOSE NO. 4, BREATHER			
NA03-42-564	1 (AT)				
42-571		HOSE, VENT			
NA01-42-561	1 (MT)				
3401 NA351K-41870G					

4200 FUEL TANK



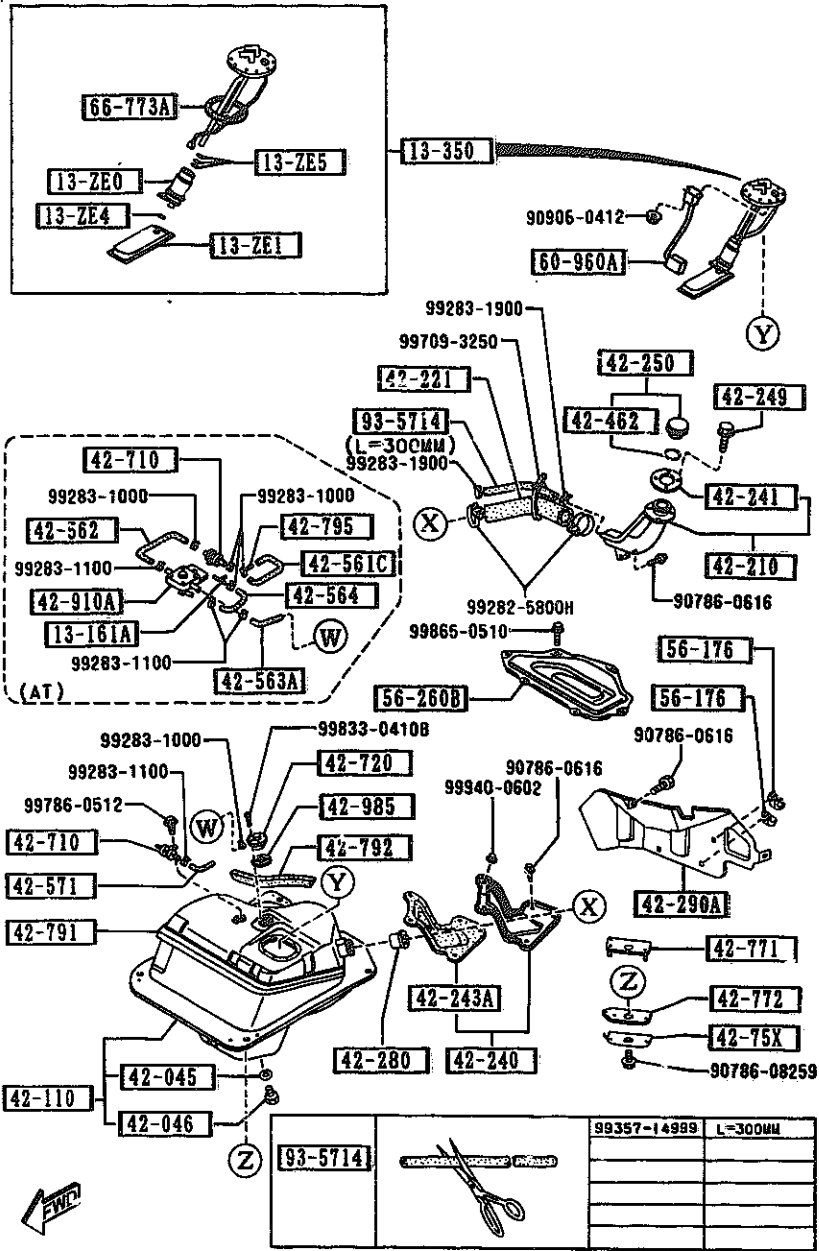
PART NO.	QTY	MODEL/RESTRICTION	MODEL/RESTRICTION	MODEL/RESTRICTION	FROM-TO
42-710		VALVE, CHECK			
H260-42-910B	1				
42-720		VALVE, FUEL VAPOR.			
FB01-42-980	1				
42-75X		REINF., FUEL TANK			
NA01-42-77X	4				
42-771		RUBBER (UP), MOUNT-TAN K			
NA01-42-771	4				
42-772		RUBBER (LWR), MOUNT-TA NK			
NA01-42-772	4				
42-791		PAD, FUEL TANK			
NA01-42-761	1				
42-792		PAD, FUEL TANK			
NA01-42-762	1				
42-795		INSERT			
GNS1-42-795	1 (AT)				
42-910A		VALVE 'A', CHECK-BREAT HER			
NA03-42-910	1 (AT)				
42-985		GASKET, VAPOR VALVE			
FB01-42-985	1				
56-176		HOLDER, JACK HANDLE			
G030-56-176	3				
56-260B		COVER, GAUGE-FUEL TAN K			
NA01-56-260	1				
60-960A		GAUGE, FUEL TANK			
NA01-60-960	1				
66-773A		GASKET			
NA01-60-962	1				

AUNA03

CAT. AUNA03-04

1994-10

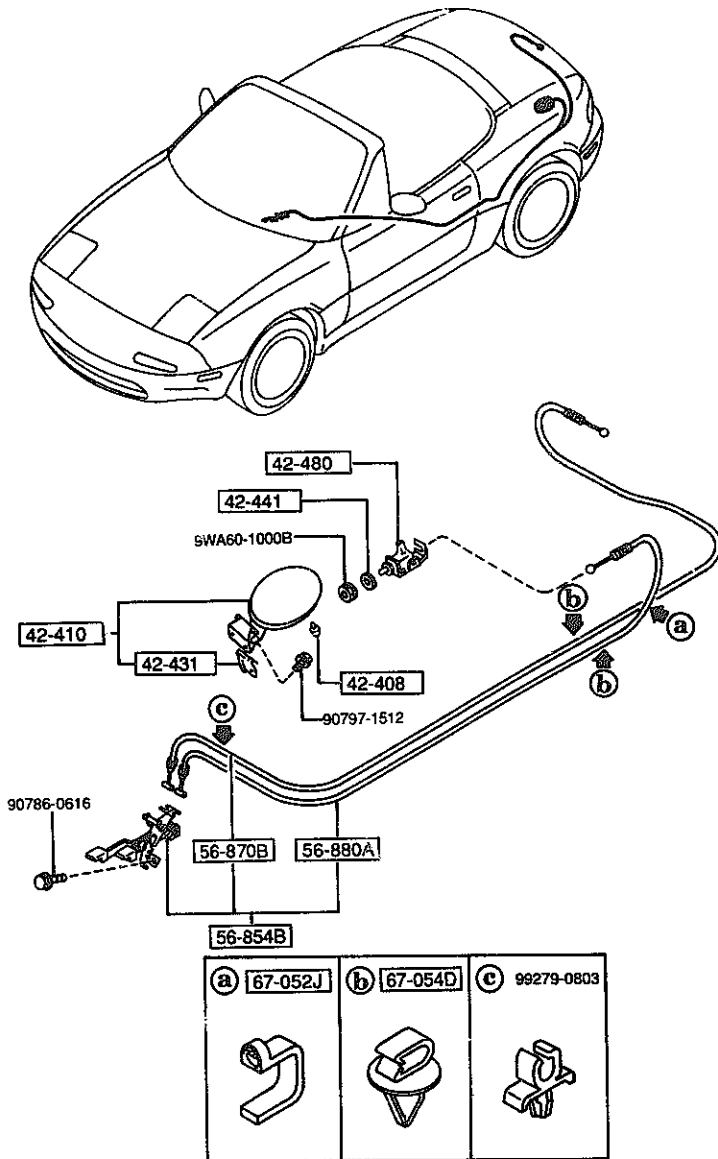
4200 FUEL TANK



PART NO.	QTY	MODEL/RESTRICTION	MODEL/RESTRICTION	MODEL/RESTRICTION	FROM-TO
93-5714		HOSE			
99357-14999	1				

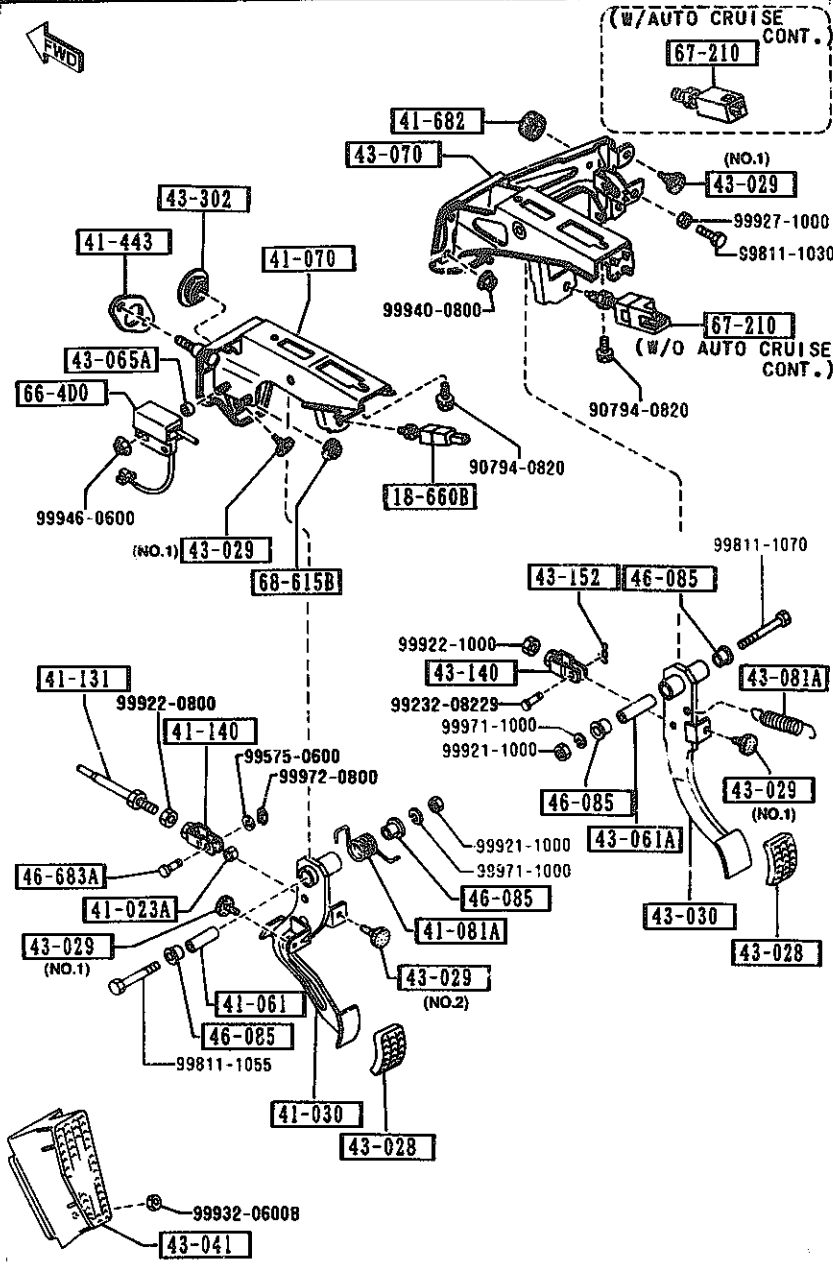
4210 -1 * FUEL LID OPENER

4210 FUEL LID OPENER



PART NO.	QTY	MODEL/RESTRICTION	MODEL/RESTRICTION	MODEL/RESTRICTION	FROM-TO
42-408		STOPPER, FILLER LID			
0187-70-491	2				
42-410		LID, FUEL FILLER			
NA01-42-410A	1				
42-431		SPRING LIFT, LID			
H043-42-431D	1				
42-441		WASHER, LID OPENER			
NA01-56-896	1				
42-480		OPENER, FILLER LID			
8095-56-890A	1				
56-854B		OPENER, T/LID & F/LID			
N007-56-850A	1				
56-870B		CABLE, T/LID OPENER			
N007-56-880A	1				
56-880A		CABLE, F/LID OPENER			
NA01-56-890A	1				
67-052J		CLIP			
3001-67-051	1				
67-054D		CLIP			
H260-67-054	2				

4300 CLUTCH & BRAKE PEDALS (MANUAL TRANSMISSION)



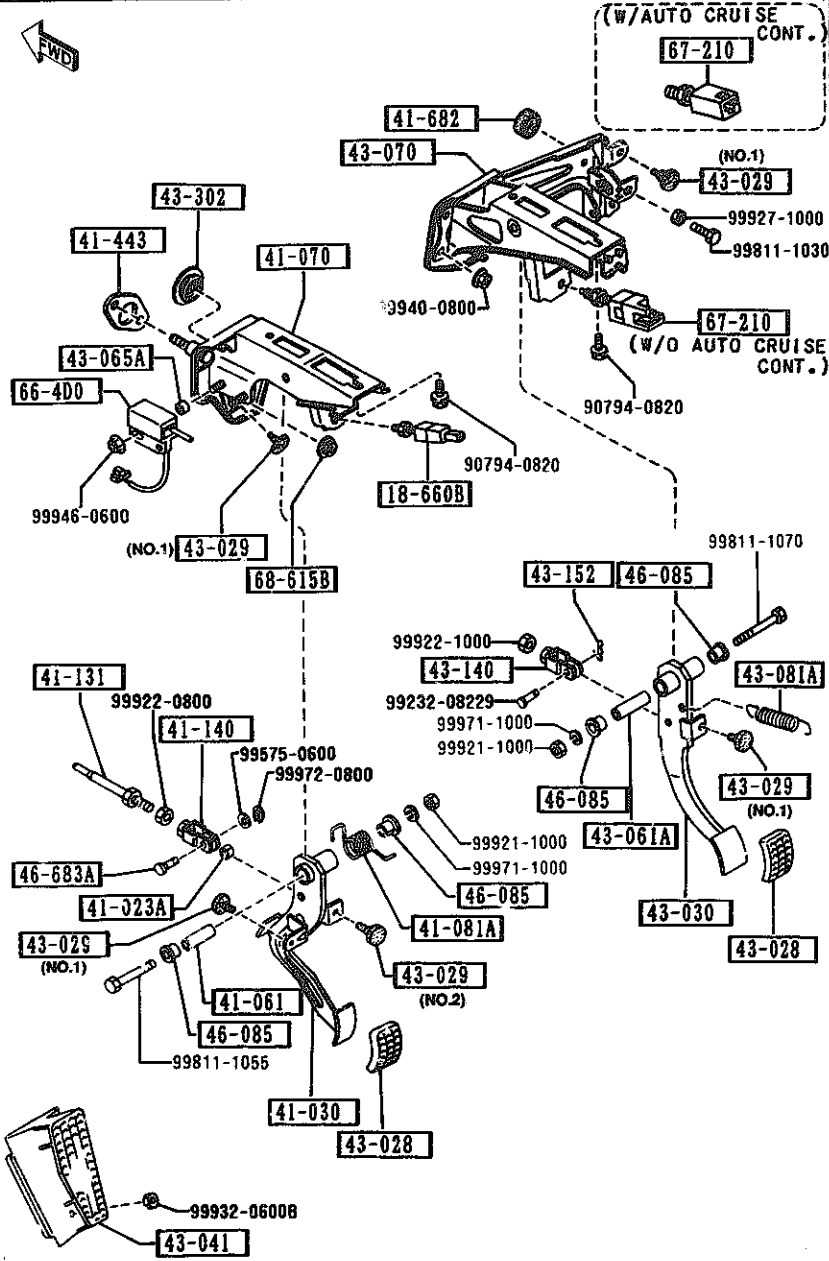
PART NO.	QTY	MODEL/RESTRICTION	MODEL/RESTRICTION	MODEL/RESTRICTION	FROM-TO
18-660B		SWITCH, CLUTCH			
LA01-66-490A	1				
41-023A		BUSH			
0727-41-023	1				
41-030		PEDAL, CLUTCH			
NA01-41-030C	1				
41-061		SPACER			
0727-41-061	1				
41-070		BRACKET, MASTER CYL.			
NA01-41-070A A (NA01-41-070B)	1				-2B03
NA01-41-070B	1				2B03-
41-081A		SPRING, RETURN			
BR70-41-081	1				
41-131		ROD, PUSH			
0824-41-131	1				
41-140		FORK, CLUTCH			
NA01-41-140B	1				
41-443		GASKET			
NA01-41-443	1				
41-682		RUBBER, STOP			
1456-41-682	1	PKG-B, RICC-20TH-ANV (W/AUTO CRUISE CONT.)			
43-028		PAC, PEDAL			
B092-43-028	2				
43-029		RUBBER, STOPPER			
B001-43-029	4	KURJISHI TEKKO (ILLUST. NO.1)			
G030-43-029	1	OIRES KOGYO (ILLUST. NO.2)			
2B03 NA351*-405493					

AUNA03

CAT. AUNA03-04

1994-10

4300 CLUTCH & BRAKE PEDALS (MANUAL TRANSMISSION)



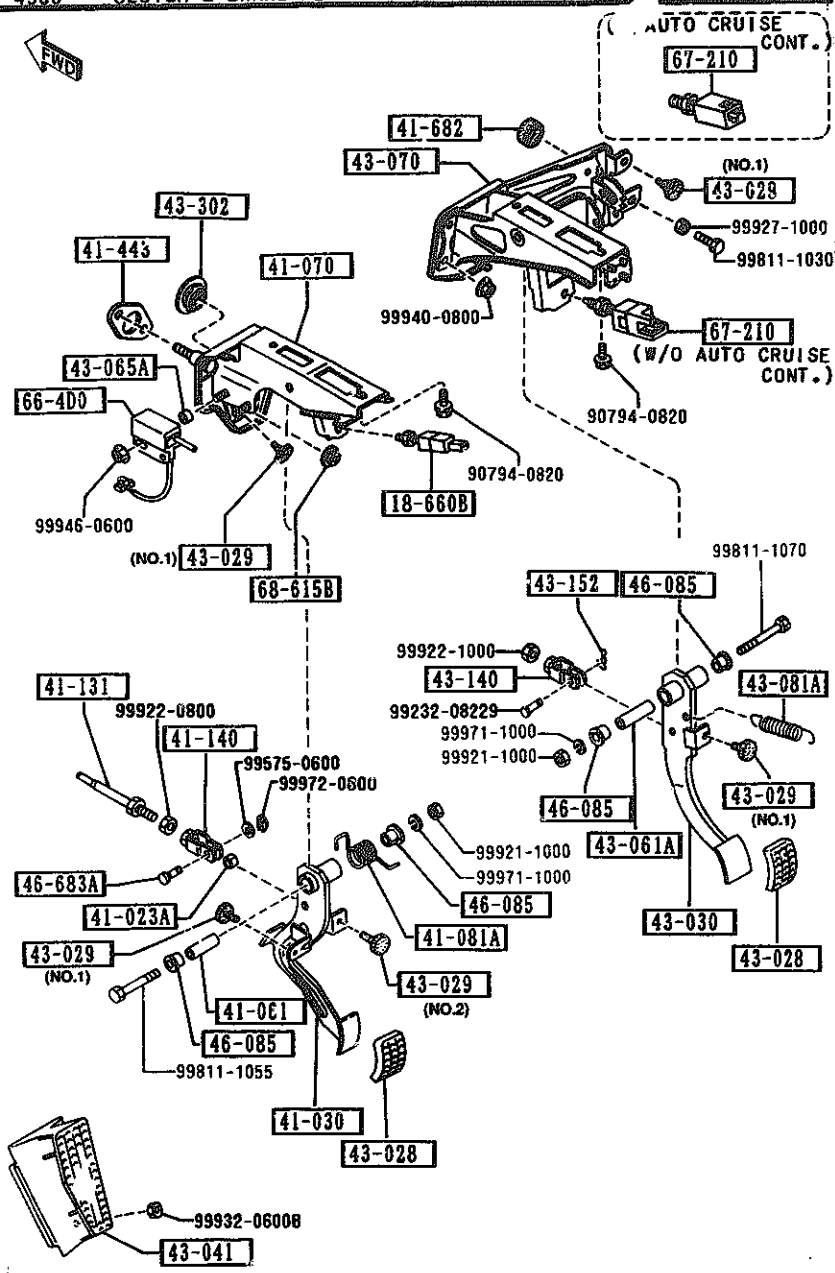
AUNA03

PART NO.	QTY	MODEL/RESTRICTION	MODEL/RESTRICTION	MODEL/RESTRICTION	FROM-TO
43-030		PEDAL, BRAKE			
NA01-43-030	1				
43-041		REST, FOOT			
NA01-43-041	1				
43-061A		PIPE, PEDAL			
0866-43-062	1				
43-065A		SPACER			
BR70-43-065	2				
43-070		BRACKET, MASTER CYL.			
NA01-43-070A	1	BASE, (W/O AUTO CRUISE CONT.)			
NA02-43-070A	1	PKG-B, RICO-20TH-ANV (W/AUTO CRUISE CONT.)			
43-081A		SPRING, RETURN-BRAKE			
B092-41-081	1				
43-140		FORK, BRAKE			
1524-43-141	1				
43-152		PIN, SNAP			
D001-43-152	1				
43-302		GROMMET, BRAKE PEDAL			
B180-43-302	1				
46-085		BUSH			
1015-46-085	4				
46-683A		PIN			
0223-46-683	1				
66-400		SWITCH, CLUTCH CUT			
FB01-66-400	1				

CAT. AUNA03-04

1994-10

4300 CLUTCH & BRAKE PEDALS (MANUAL TRANSMISSION)



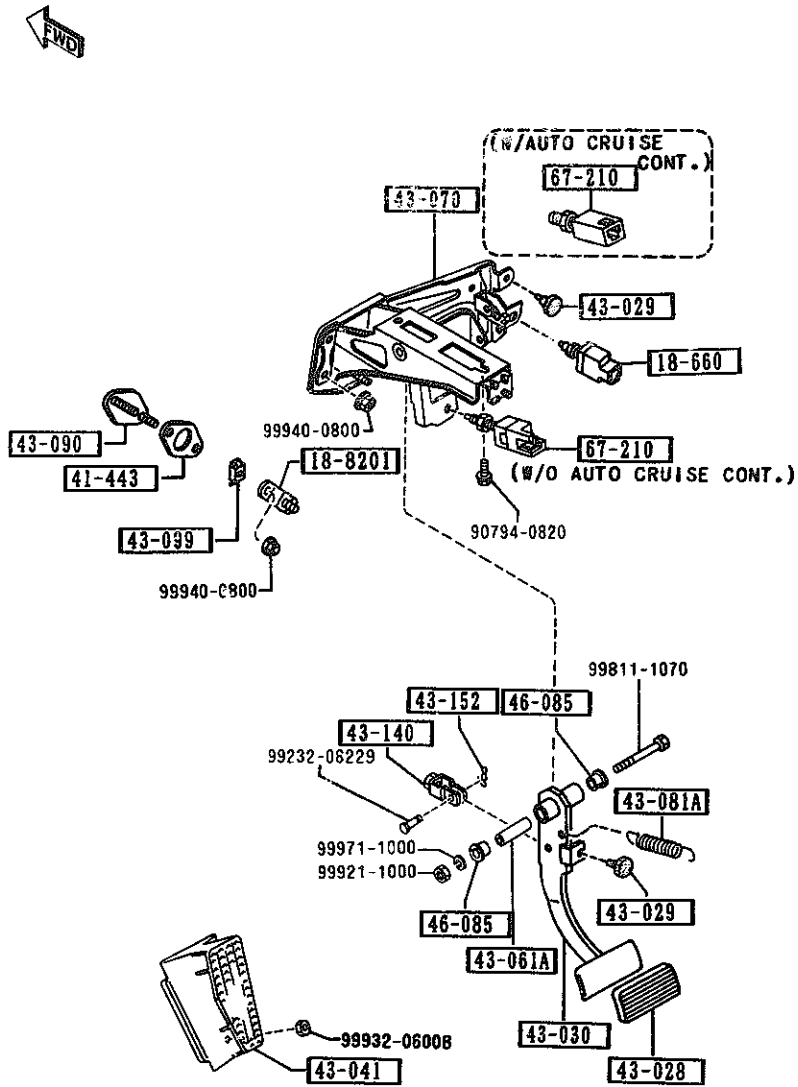
PART NO.	QTY	MODEL/RESTRICTION	MODEL/RESTRICTION	MODEL/RESTRICTION	FROM-TO
67-210		SWITCH, STOP-LAMP			
BR70-66-490A	1	PKG-B, RICO-20TH-ANV (W/AUTO CRUISE CONT.)			
B001-66-490A	1	BASE, (W/O AUTO CRUISE CONT.)			
68-615B		NUT, FLANGE-CAP			
8100-68-615	1				

AWMA03

CAT. AWMA03-04

1994-10

4300A BRAKE PEDALS (AUTOMATIC TRANSMISSION)

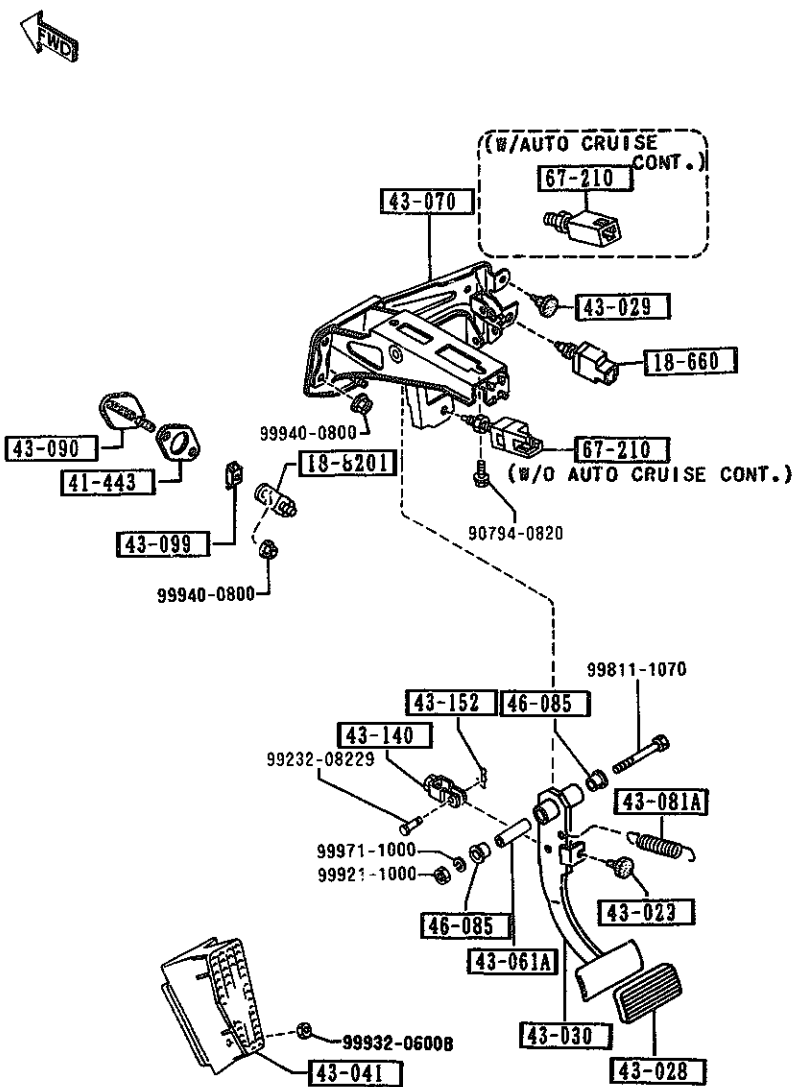


PART NO.	QTY	MODEL/RESTRICTION	MODEL/RESTRICTION	MODEL/RESTRICTION	FROM-TO
18-660		SWITCH,KICK DOWN			
H118-66-470	1				
18-8201		BRACKET,CONTROL UNIT			
XNA75-18-945A	1				3401-
41-443		GASKET			
NA01-41-443	1				
43-028		PAD,PEDAL			
0268-43-028	1				
43-029		RUBBER, STOPPER			
B001-43-029	2	KUROISHI TEKKO			
43-030		PEDAL, BRAKE			
NA03-43-030	1				
43-041		REST, FOOT			
NA01-43-041	1				
43-041A		PIPE, PEDAL			
0866-43-062	1				
43-070		BRACKET, MASTER CYL.			
NA01-43-070A	1	BASE, (W/O AUTO CRUISE CONT.)			
NA02-43-070A	1	PKG-B, RICO-20TH-AMV (W/AUTO CRUISE CONT.)			
43-081A		SPRING, RETURN-BRAKE			
B092-41-081	1				
43-090		PLATE			
NA03-43-090	1				
43-099		HOLDER, PLATE			
HF23-43-099	1				

3401 NA351*-418882

4300A BRAKE PEDALS (AUTOMATIC TRANSMISSION)

4300A -2 * BRAKE PEDALS (AUTOMATIC TRANSMISSION)



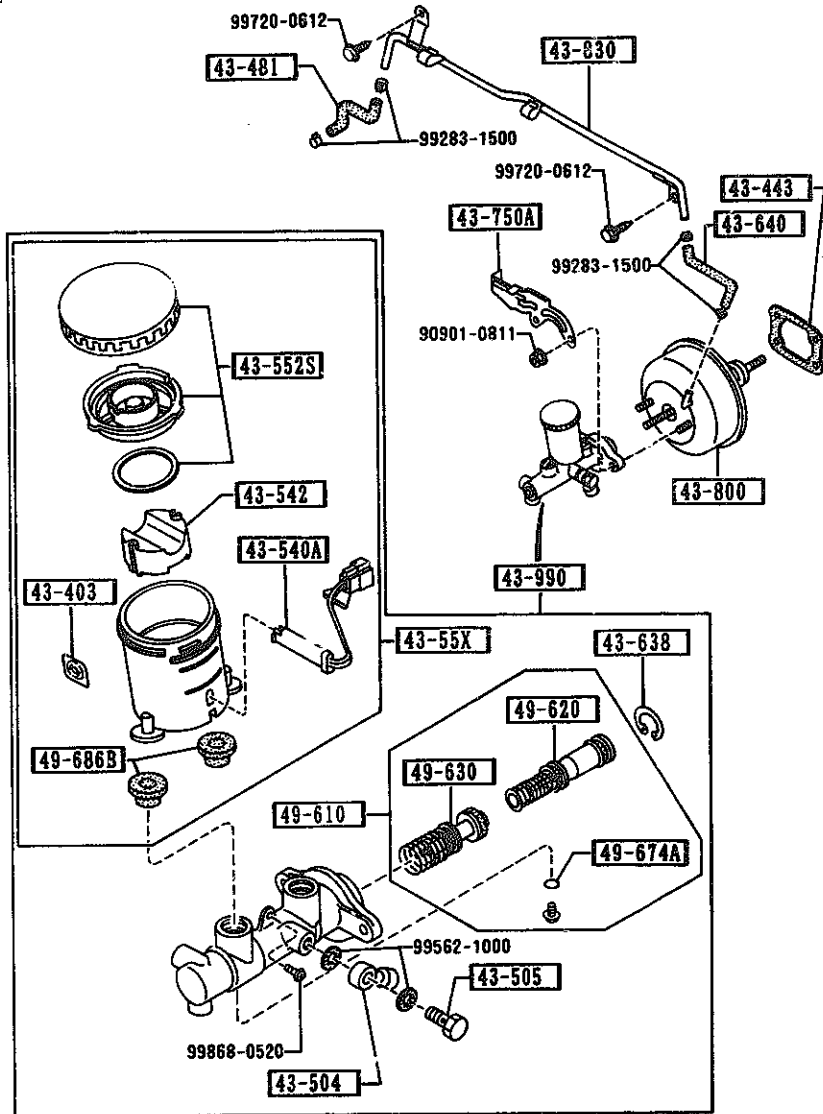
PART NO.	QTY	MODEL/RESTRICTION	MODEL/RESTRICTION	MODEL/RESTRICTION	FROM-TO
43-140		FORK, BRAKE			
1524-43-141	1				
43-152		PIN, SNAP			
D001-43-152	1				
46-085		BUSH			
1015-46-085	2				
67-210		SWITCH, STOP-LAMP			
BR70-66-490A	1	PKG-B, RICO-20TH-ANV (W/AUTO CRUISE CONT.)			
B001-66-490A	1	BASE, (W/O AUTO CRUISE CONT.)			

AUNA03

CAT. AUNA03-04

1994-10

4340

**BRAKE MASTER CYLINDER & POWER BRAKE
(W/O ANTI LOCK BRAKE SYSTEM)**
**4340 -1 BRAKE MASTER CYLINDER & POWER BRAKE
(W/O ANTI LOCK BRAKE SYSTEM)**


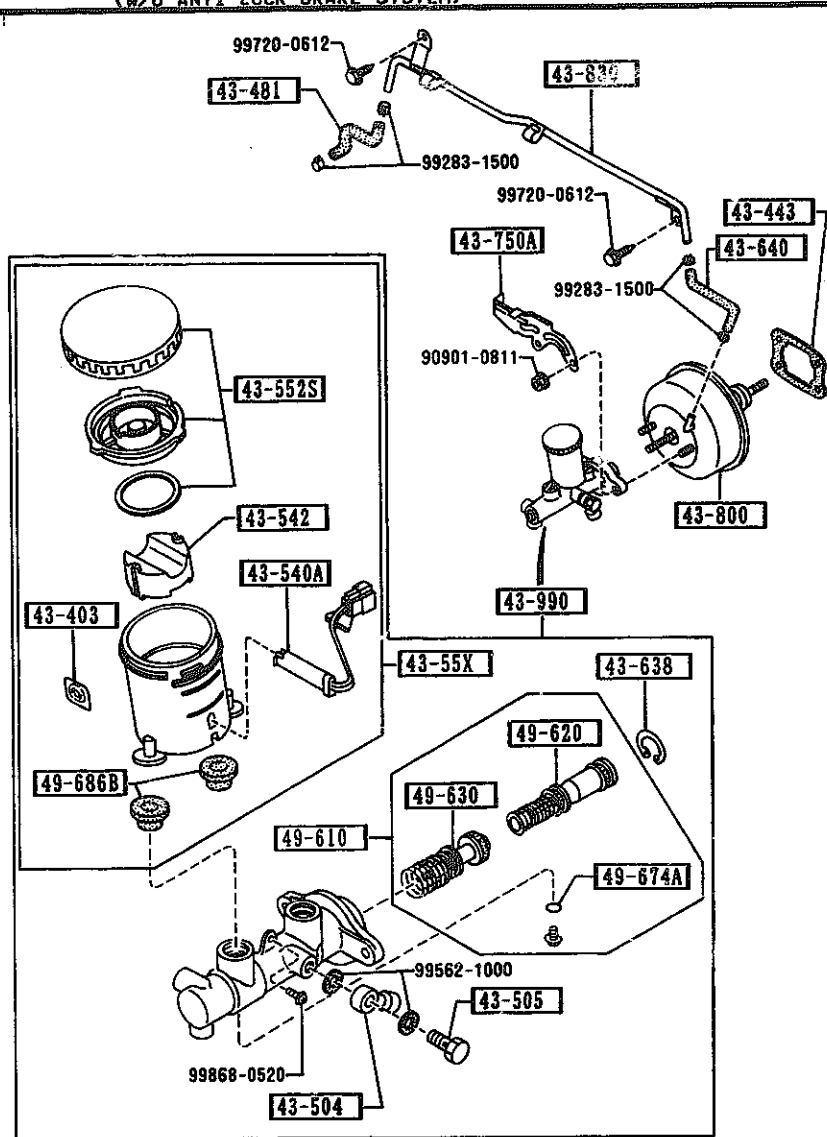
PART NO.	QTY	MODEL/RESTRICTION	MODEL/RESTRICTION	MODEL/RESTRICTION	FROM-TO
43-403		LABEL, ISO			
*TA04-43-403A	1				
43-443		GASKET, VAC POWER AS SIST NON ASBESTOS			
H001-43-443	1				
43-481		HOSE, VACUUM			
NA01-43-481	1				
43-504		JOINT, PIPE			
W023-43-504	1				
43-505		BOLT, CONNECTOR			
W023-43-505	1				
43-540A		SENSOR, RESERVE TANK			
GA97-43-540	1				
43-542		FLOAT			
3597-43-542	1				
43-55X		SET, TANK			
*B2Y6-43-55X	1				
43-552S		CAP SET, RESERVE TANK			
D001-49-650A	1				
43-638		RING, RETAINING			
GA02-49-638	1				
43-640		HOSE, VACUUM			
NA01-43-640	1				
43-750A		HOLDER, P. B. VALVE			
NA01-43-750	1				
43-800		VACUUM POWER ASSIST			
NA01-43-800	1				
43-830		PIPE, VACUUM			

AUNA03

CAT. AUNA03-04

1994-10

4340

**BRAKE MASTER CYLINDER & POWER BRAKE
(W/O ANTI LOCK BRAKE SYSTEM)**

**4340 -2 * BRAKE MASTER CYLINDER & POWER BRAKE
(W/O ANTI LOCK BRAKE SYSTEM)**

PART NO.	QTY	MODEL/RESTRICTION	MODEL/RESTRICTION	MODEL/RESTRICTION	FROM-TO
CONT'D					
NA01-43-830A	1				
43-990		CYL., TANDEM MASTER			
NA01-43-400D	1				-3728
NA01-43-40Z	1				3728-
49-610		PARTS KIT, INN.-BRAKE			
BW0A-43-61Z	1				
49-620		PISTON, PRIMARY			
BW0A-43-62Z	1				
49-630		PISTON, FLOATING			
BW0A-43-63Z	1				
49-674A		RING, 'O'-MASTER CYL.			
99541-00403	1				
49-686B		BUSH, ELBOW JOINT			
0305-49-686B	2				-2C01
F100-49-686	2				2C01-
2C01 NA351*-407249					
3728 NA351*-423709					



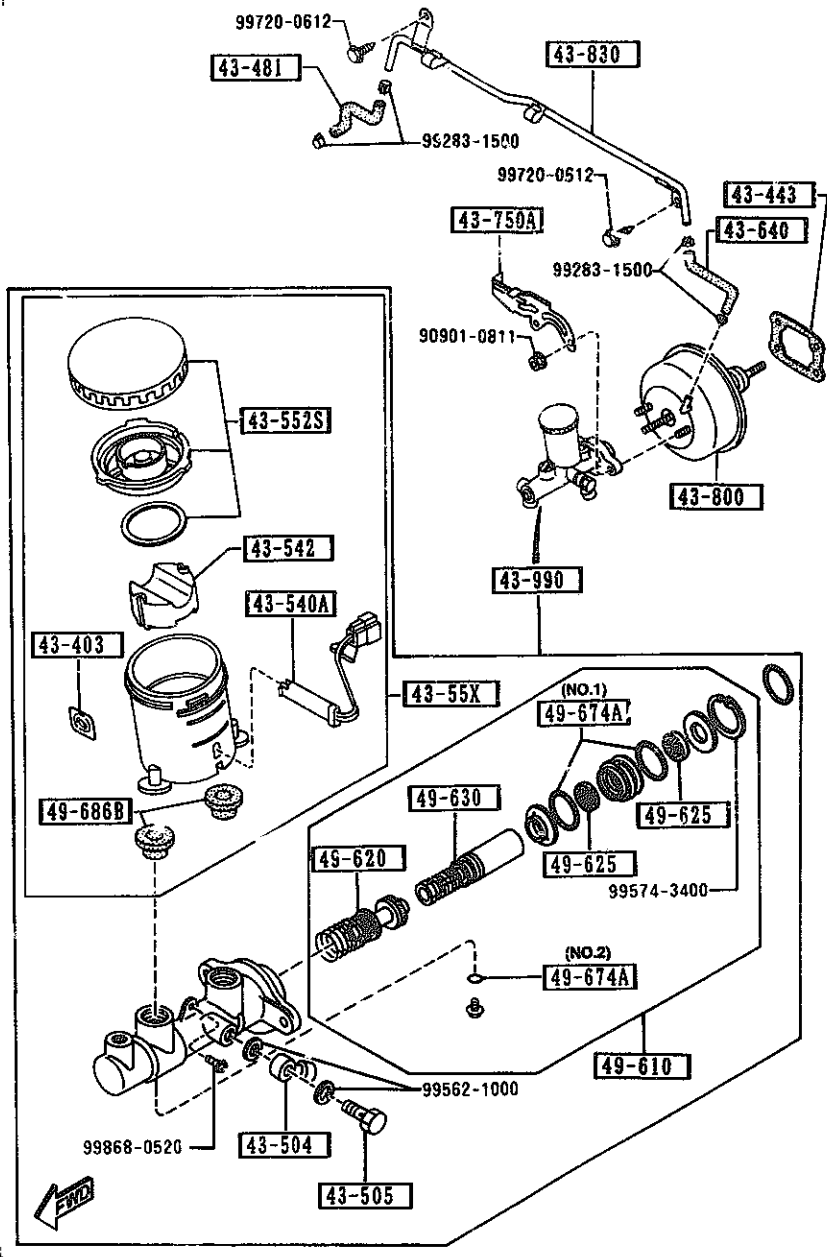
AUNA03

CAT. AUNA03-04

1994-10

4340 A BRAKE MASTER CYLINDER & POWER BRAKE
(ANTI LOCK BRAKE SYSTEM)

4340 A-1 BRAKE MASTER CYLINDER & POWER BRAKE
(ANTI LOCK BRAKE SYSTEM)



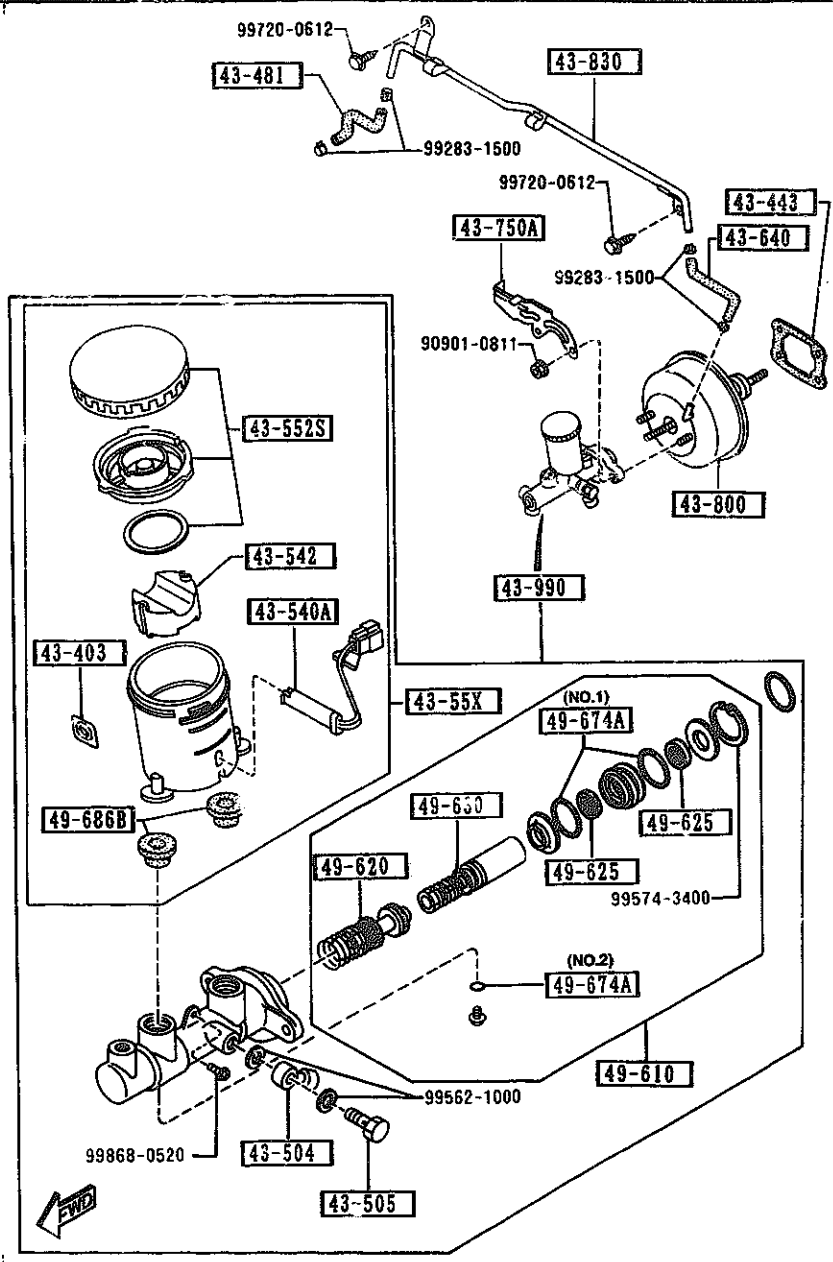
PART NO.	QTY	MODEL/RESTRICTION	MODEL/RESTRICTION	MODEL/RESTRICTION	FROM-TO
43-403		LABEL, ISO			
*TA06-43-403A	1				
43-443		GASKET, VAC POWER AS SIST NON ASBESTOS			
H001-43-443	1				
43-481		HOSE, VACUUM			
NA01-43-481	1				
43-504		JOINT, PIPE			
W023-43-504	1				
43-505		BOLT, CONNECTOR			
W023-43-505	1				
43-540A		SENSOR, RESERVE TANK			
GA97-43-540	1				
43-542		FLOAT			
3597-43-542	1				
43-55X		SET, TANK			
*NAY3-43-55X	1				
43-552S		CAP SET, RESERVE TANK			
D001-49-650A	1				
43-640		HOSE, VACUUM			
NA01-43-640	1				
43-750A		HOLDER, P. B. VALVE			
NA02-43-750A	1				
43-800		VACUUM POWER ASSIST			
NA23-43-800	1				
43-830		PIPE, VACUUM			
NA23-43-830B	1				
43-990		CYL., TANDEM MASTER			

AUNA03

CAT. AUNA03-04

1994-10

4340 A BRAKE MASTER CYLINDER & POWER BRAKE
(ANTI LOCK BRAKE SYSTEM)



AUNA03

4340 A-2 * BRAKE MASTER CYLINDER & POWER BRAKE
(ANTI LOCK BRAKE SYSTEM)

PART NO.	QTY	MODEL/RESTRICTION	MODEL/RESTRICTION	MODEL/RESTRICTION	FROM-TO
CONT'D NAY3-43-40Z A (NAY3-43-40ZA)	1				-3728
NAY3-43-40ZA	1				3728-
49-610		PARTS K.I.T. INN.-BRAKE			
NAY3-43-41Z	1				
49-620		PISTON, PRIMARY			
B252-49-620A	1				
49-625		CUP, SECONDARY			
NA23-43-625	2				
49-630		PISTON, FLOATING			
NA23-43-63Z	1				
49-674A		RING, 'O'-MASTER CYL.			
NA23-43-515	2	SHINEI KOGYO (ILLUST. NO.1)			
99541-00603	1	NOK (ILLUST. NO.2)			
49-686B		BUSH, ELBOW JOINT			
0305-49-686B	2				-2C01
F100-49-686	2				2C01-

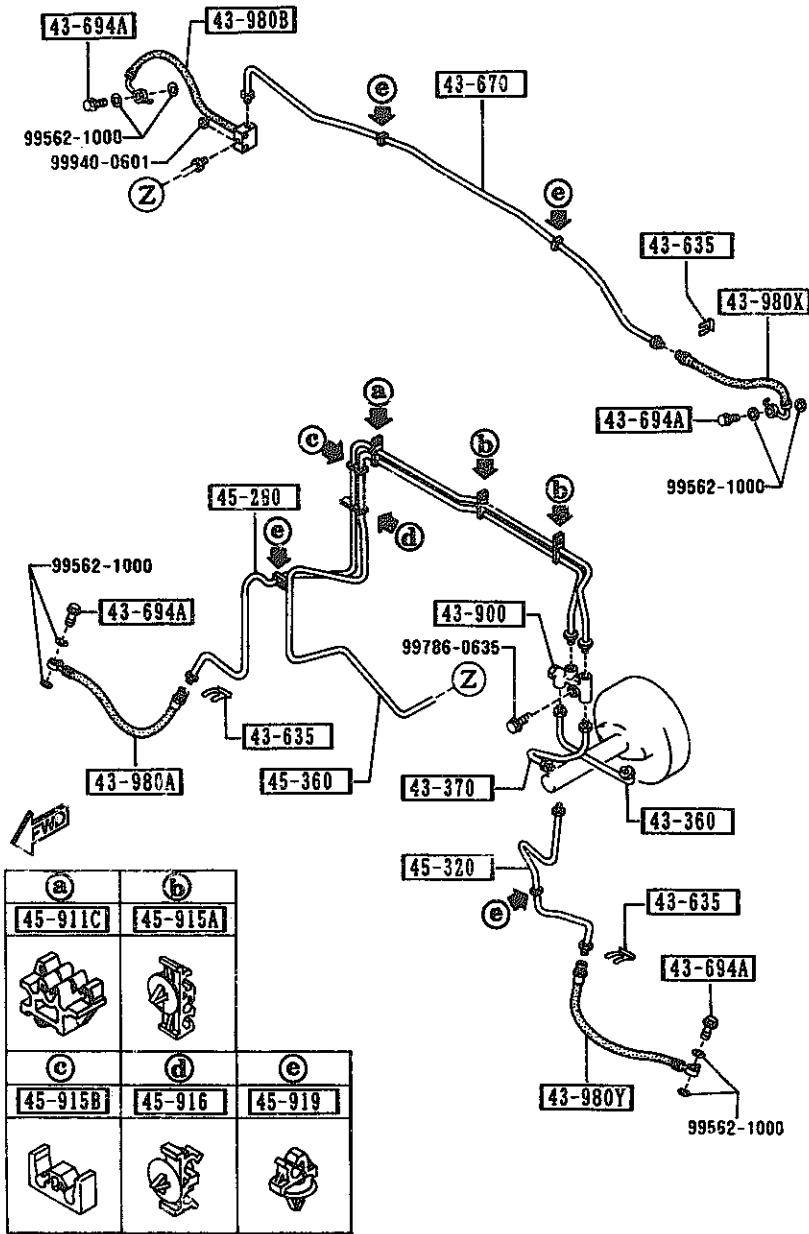
2C01 NA351#-407249
3728 NA351#-423709

CAT. AUNA03-06

1994-10

4360 BRAKE PIPINGS
(W/O ANTI LOCK BRAKE SYSTEM)

4360 -1 BRAKE PIPINGS
(W/O ANTI LOCK BRAKE SYSTEM)



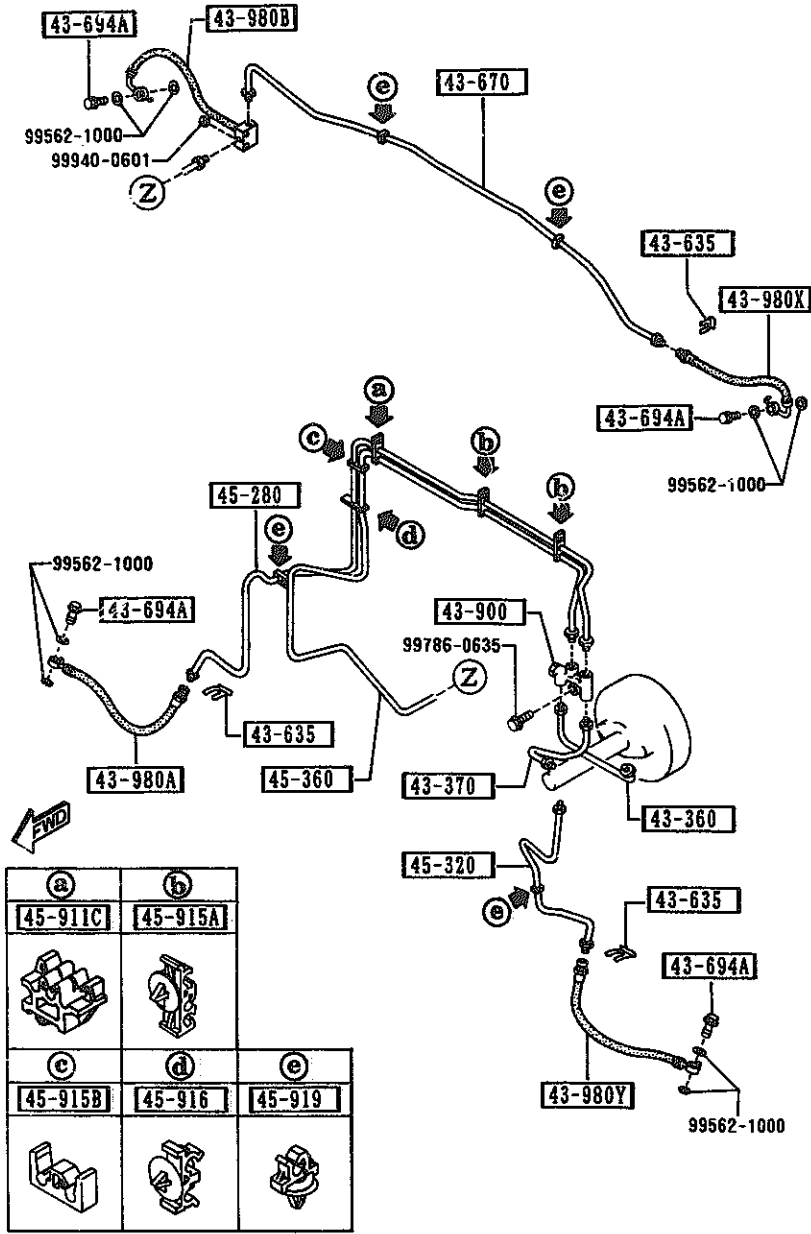
PART NO.	QTY	MODEL/RESTRICTION	MODEL/RESTRICTION	MODEL/RESTRICTION	FROM-TO
43-360		PIPE, BRAKE			
NA01-43-360A	1				
43-370		PIPE, BRAKE			
NA01-43-370	1				
43-635		CLIP, FLEXIBLE HOSE			
W023-43-635	3				
43-670		PIPE, BRAKE-REAR			
NA01-43-670A	1				
43-694A		BOLT, CONNECTOR			
B001-43-694A	4				
43-900		VALVE, DUAL PROPORTIONING			
NA01-43-900	1				
43-980A		HOSE (R), FLEXIBLE-FRT			
NA01-43-810A	1				
43-980B		HOSE (R), FLEXIBLE-RR			
NA01-43-980	1				
43-980X		HOSE (L), FLEXIBLE-RR			
NA01-43-990	1				
43-980Y		HOSE (L), FLEXIBLE-FRT			
NA01-43-820A	1				
45-280		PIPE (R), BRAKE-FRONT			
NA01-45-280B	1				
45-320		PIPE (L), BRAKE-FRONT			
NA01-45-320C	1				
45-360		PIPE NO. 2, BRAKE-REAR			
NA01-45-360B	1				
45-911C		CLIP, PIPE			
NA01-45-911	1				

AUNA03

CAT. AUNA03-04

1994-10

4363 BRAKE PIPINGS
(W/O ANTI LOCK BRAKE SYSTEM)



AUNA03

4360 -2 * BRAKE PIPINGS
(W/O ANTI LOCK BRAKE SYSTEM)

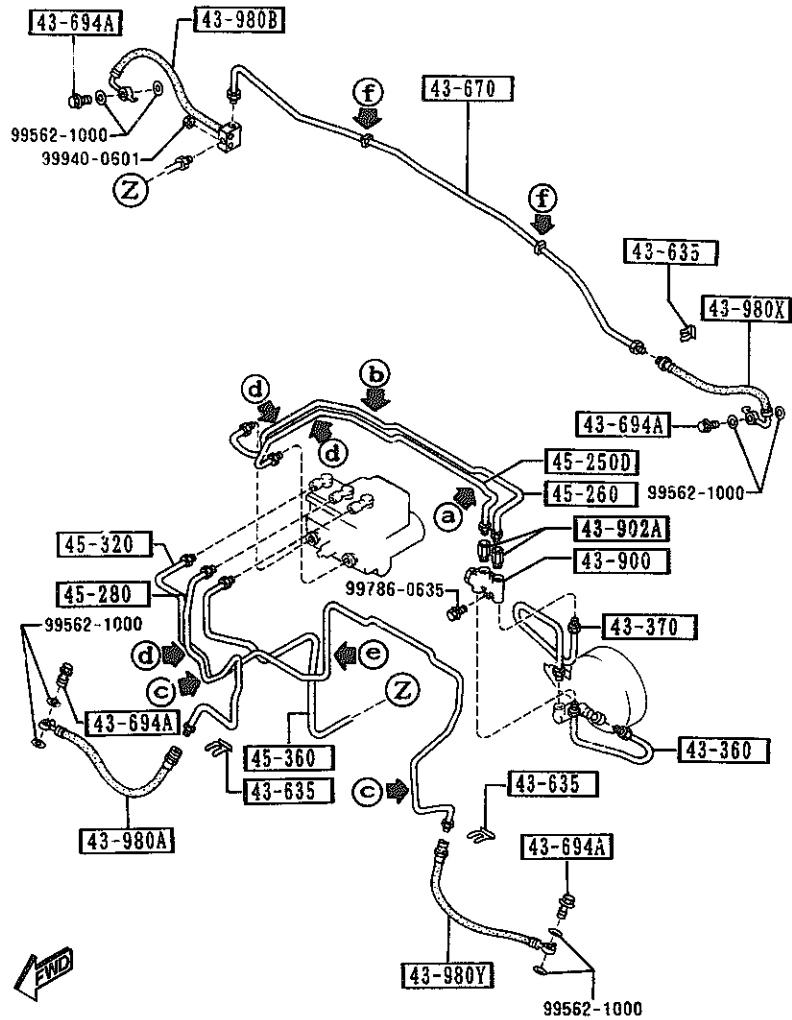
PART NO.	QTY	MODEL/RESTRICTION	MODEL/RESTRICTION	MODEL/RESTRICTION	FROM-TO
45-915A		HOLDER, PIPE			
8001-45-915	2				
45-915B		HOLDER, PIPE			
NA01-45-915A	1				
45-916		HOLDER, PIPE			
8001-45-916	1				
45-919		CLIP, PIPE			
8001-45-919B	4				

CAT. AUNA03-04

1994-10

4360 A BRAKE PIPINGS
(ANTI LOCK BRAKE SYSTEM)

4360 A-1 BRAKE PIPINGS
(ANTI LOCK BRAKE SYSTEM)



a	b	c	d	e	f
45-910E	45-920	43-607	43-919A	45-919C	45-919

PART NO.	QTY	MODEL/RESTRICTION	MODEL/RESTRICTION	MODEL/RESTRICTION	FROM-TO
43-360		PIPE, BRAKE			
NA25-43-360A	1				
43-370		PIPE, BRAKE			
NA23-43-370A	1				
43-607		CLIP, RR BRAKE PIPE			
G309-43-607	2				
43-635		CLIP, FLEXIBLE HOSE			
W023-43-635	3				
43-670		PIPE, BRAKE-REAR			
NA01-43-670A	1				
43-694A		BOLT, CONNECTOR			
B001-43-694A	4				
43-900		VALVE, DUAL PROPORTIONING			
NA23-43-920A	1				
43-902A		RING 'O'			
NA17-43-902	2				
43-919A		HOLDER, BRAKE PIPE			
NA20-45-915	3				
43-980A		HOSE (R), FLEXIBLE-FRT			
NA01-43-810A	1				
43-980B		HOSE (R), FLEXIBLE-RR			
NA01-43-980	1				
43-980X		HOSE (L), FLEXIBLE-RR			
NA01-43-990	1				
43-980Y		HOSE (L), FLEXIBLE-FRT			
NA01-43-820A	1				
45-250D		PIPE NO. 1, BRAKE-FRT			
NA20-45-230C	1				

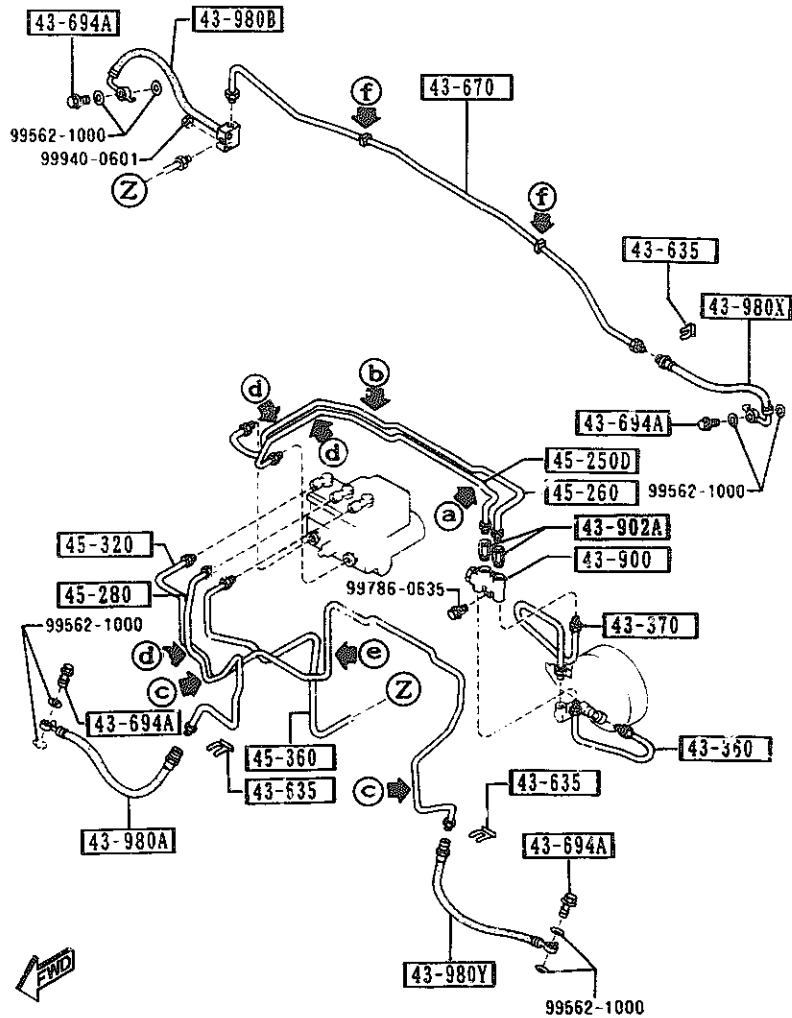
AUNA03

CAT. AUNA03-04

1994-10

4360 A BRAKE PIPINGS
(ANTI LOCK BRAKE SYSTEM)

4360 A-2 * BRAKE PIPINGS
(ANTI LOCK BRAKE SYSTEM)



a	b	c	d	e	f
45-910E	45-920	43-607	43-919A	45-919C	45-919

PART NO.	QTY	MODEL/RESTRICTION	MODEL/RESTRICTION	MODEL/RESTRICTION	FROM-TO
45-260 NA20-45-240C	1	PIPE NO.2,BRAKE-FRT			
45-280 NA20-45-280B	1	PIPE(R),BRAKE-FRONT			
45-320 NA20-45-320C	1	PIPE(L),BRAKE-FRONT			
45-360 NA20-45-360D	1	PIPE NO.2,BRAKE-REAR			
45-910E NA20-45-910A	1	HOLDER,PIPE			
45-919 B001-45-919B	2	CLIP,PIPE			
45-919C G030-45-919	1 (AT)	CLIP,PIPE			
45-919 G030-45-919	2 (MT)	CLIP,PIPE			
45-920 NA20-45-920B	1	BRACKET			

AUNA03

CAT. AUNA03-04

1994-10